

01_Intro

Date: A2286_Baby_RA_1.kicad_sch

02_1 MB DRAM

Date: A2286_Baby_RA_2.kicad_sch

03_BIOS EPROMS, PARITY LOGIC

Date: A2286_Baby_RA_3.kicad_sch

04_FDC & DECODING LOGIC

Date: A2286_Baby_RA_4.kicad_sch

05_RTC, KEYBOARD CONTROLLER

Date: A2286_Baby_RA_5.kicad_sch

06_Connectors

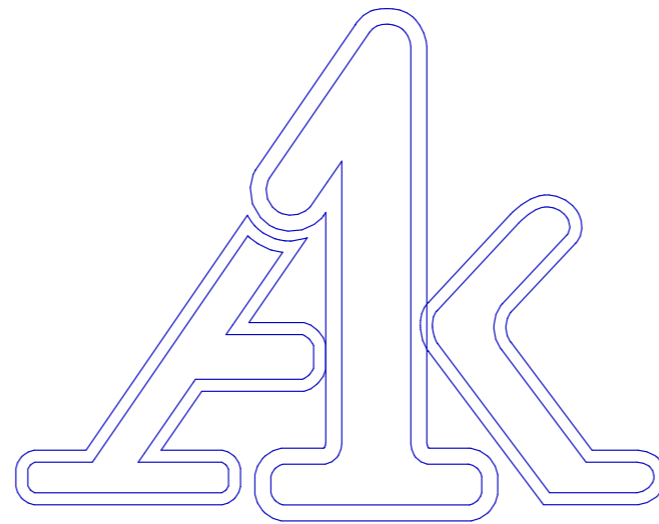
Date: A2286_Baby_RA_6.kicad_sch

07_BLOCK CAPS

Date: A2286_Baby_RA_7.kicad_sch

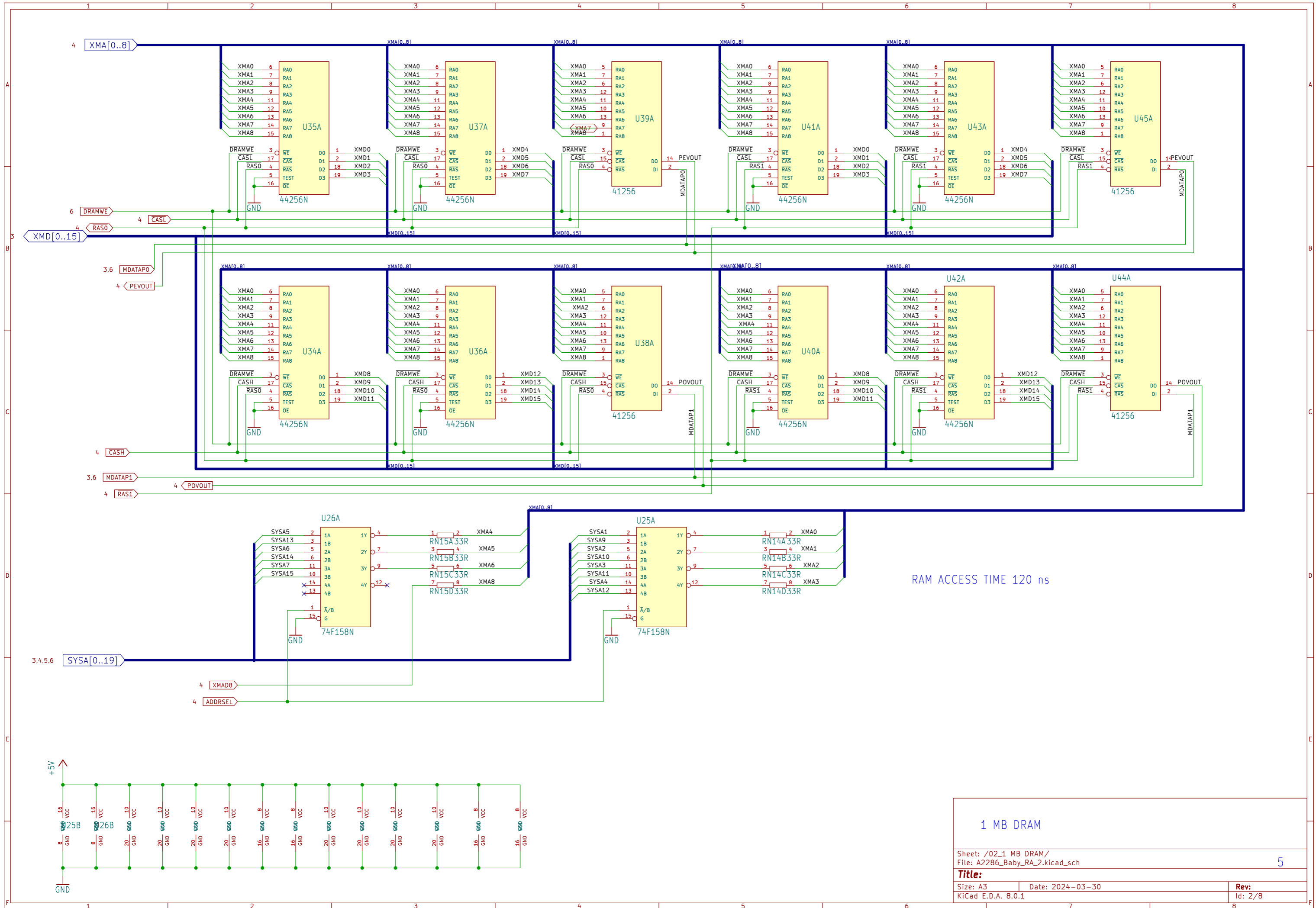
Sheet: /		
File: A2286_Baby_RA.kicad_sch		
Title:		
Size: A3	Date: 2024-03-30	Rev:
KiCad E.D.A. 8.0.1		Id: 1/8

SCHEMATIC AT SANDWICH BOARD
REV. A



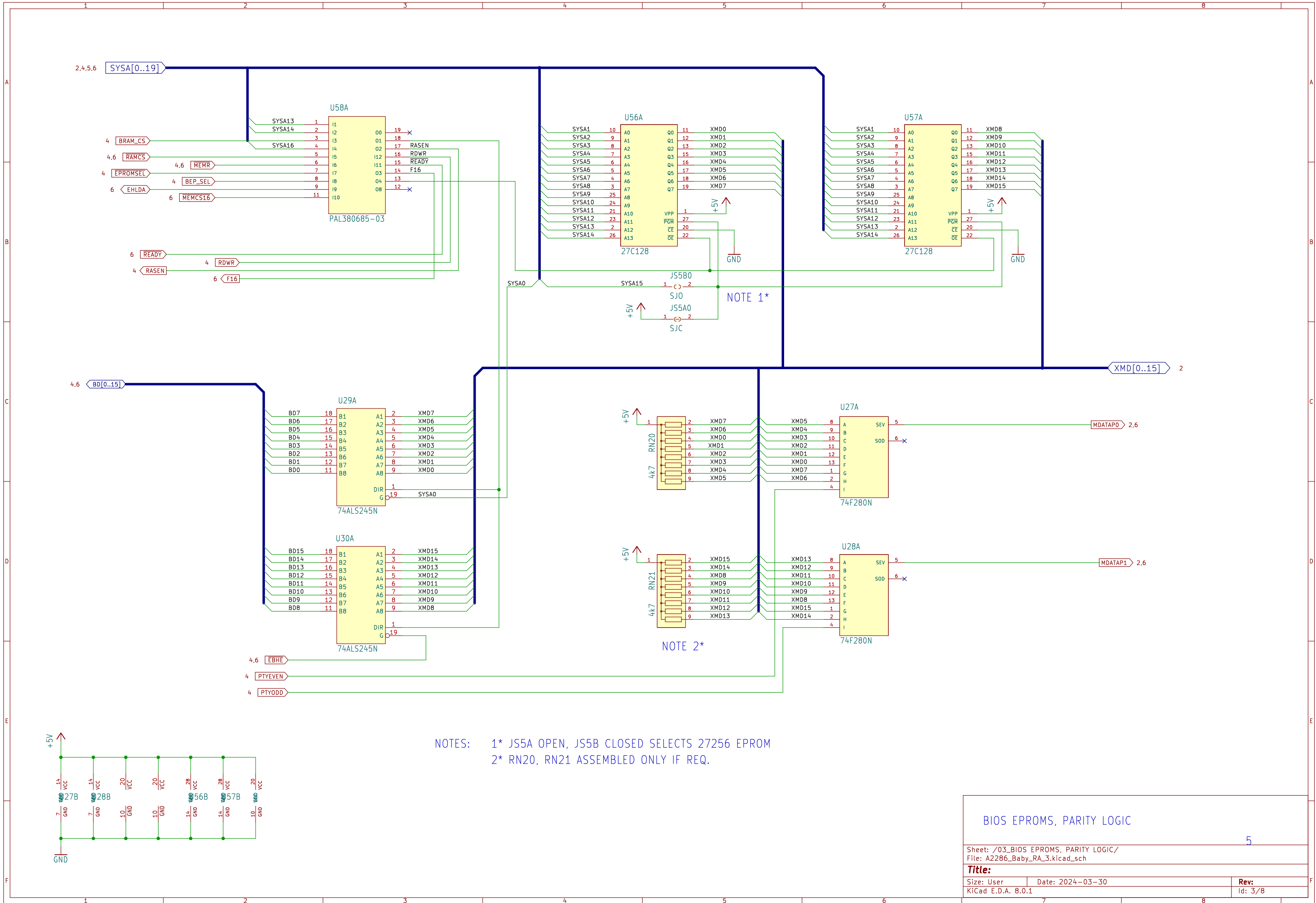
REDRAWN GONZO/A1k

Sheet: /01_Intro/ File: A2286_Baby_RA_1.kicad_sch		
Title:		
Size: A3	Date: 2024-03-30	Rev:
KiCad E.D.A. 8.0.1		Id: 1/8

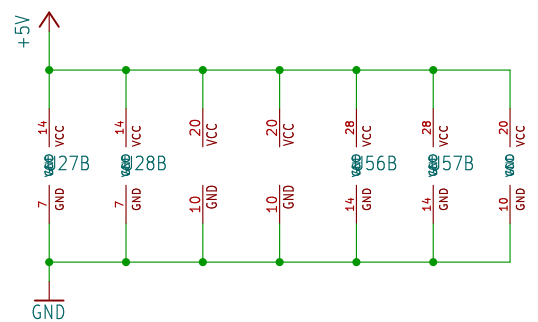


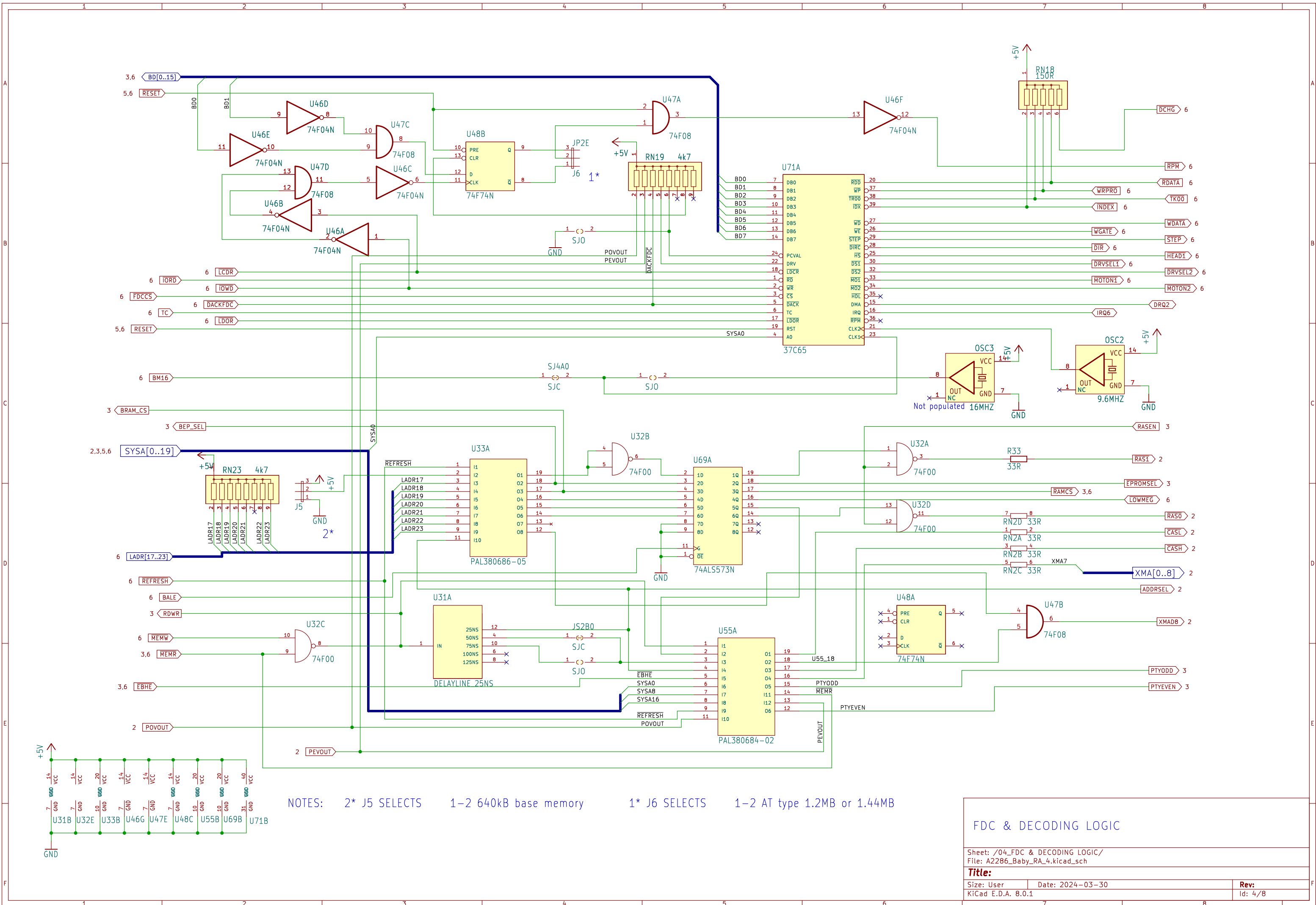
RAM ACCESS TIME 120 ns

1 MB DRAM		
Sheet: /02_1 MB DRAM/ File: A2286_Baby_RA_2.kicad_sch		
5		
Title:	Date: 2024-03-30	Rev:
Size: A3	KiCad E.D.A. 8.0.1	Id: 2/8



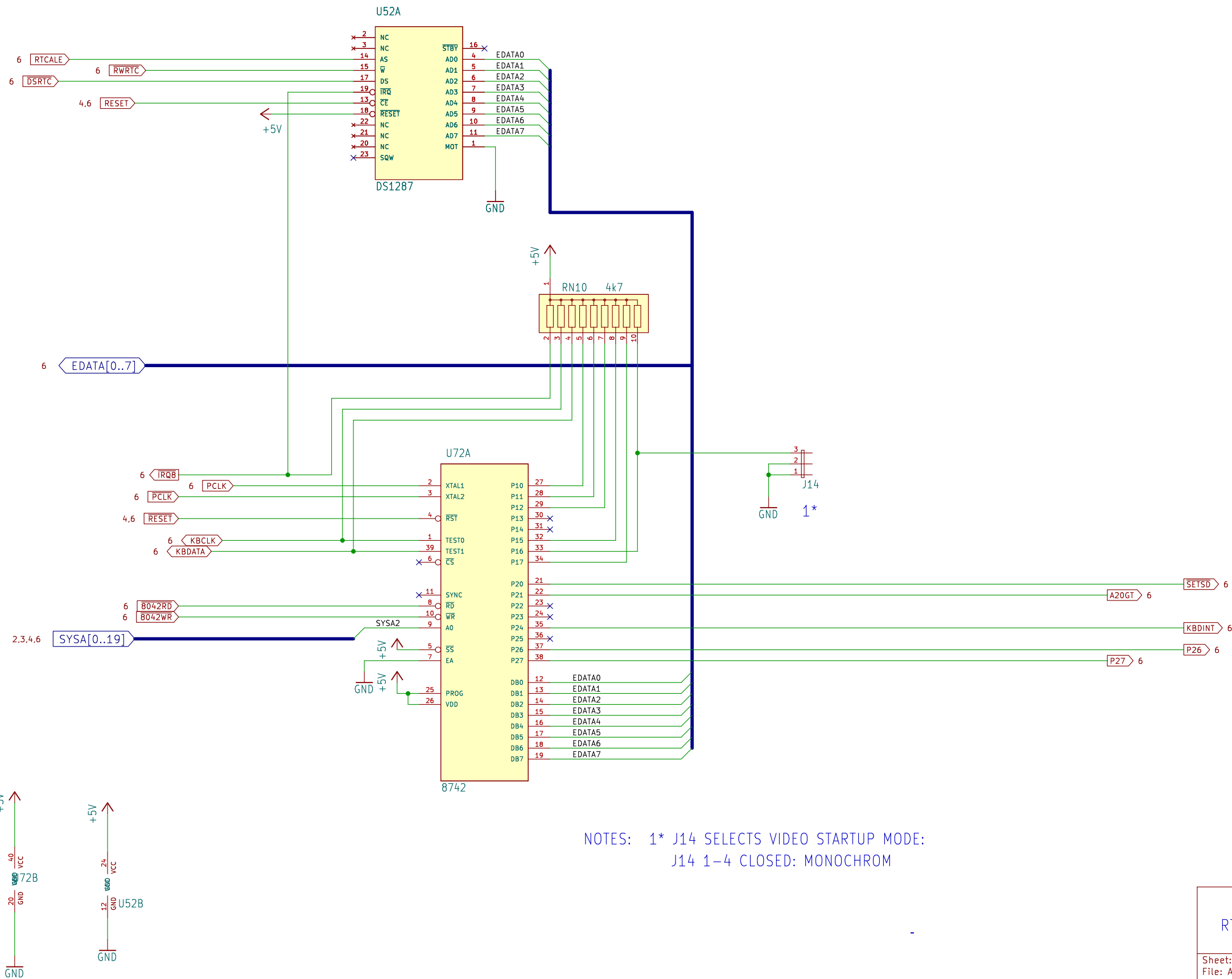
NOTES: 1* JS5A OPEN, JS5B CLOSED SELECTS 27256 EPROM
 2* RN20, RN21 ASSEMBLED ONLY IF REQ.





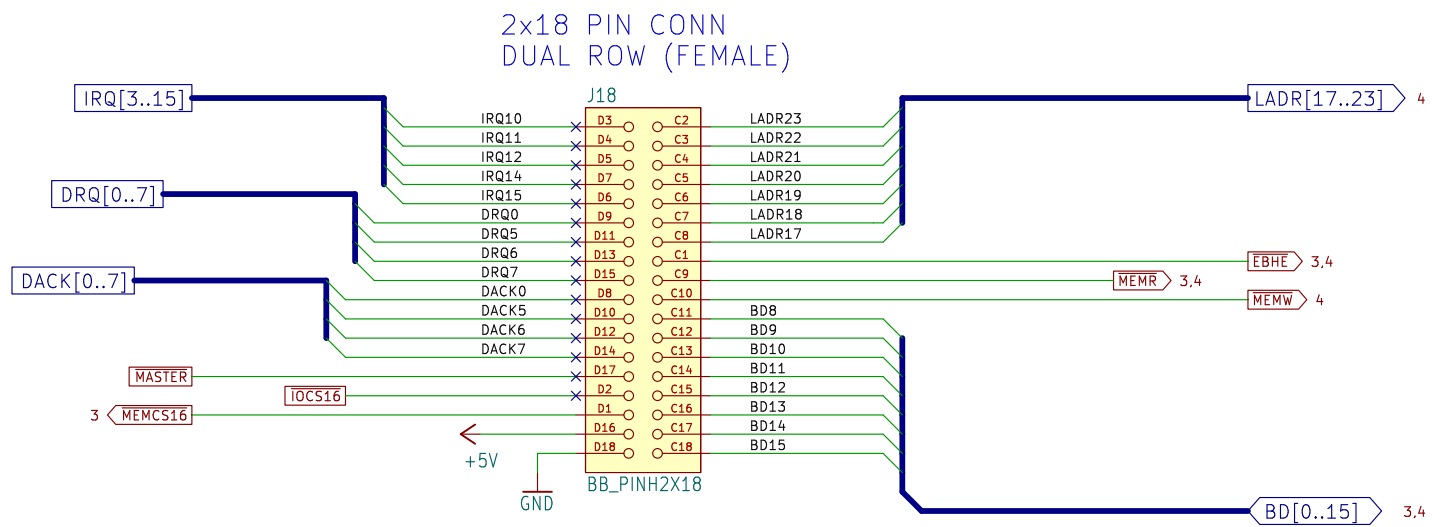
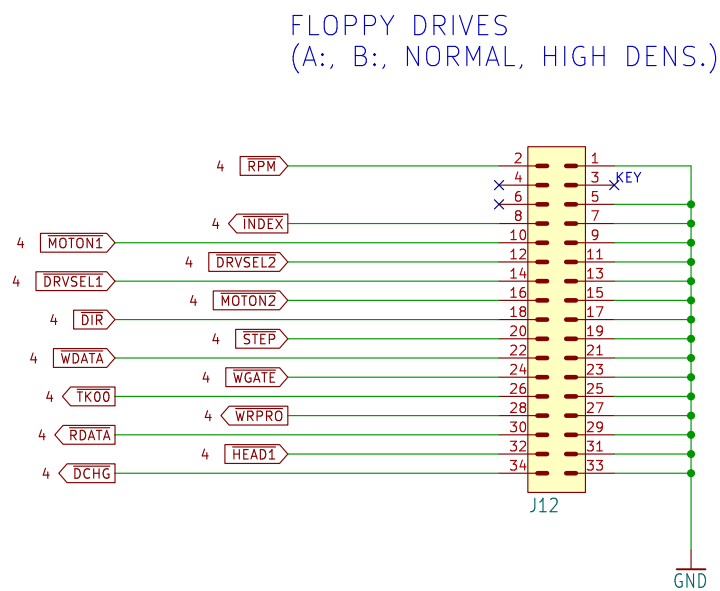
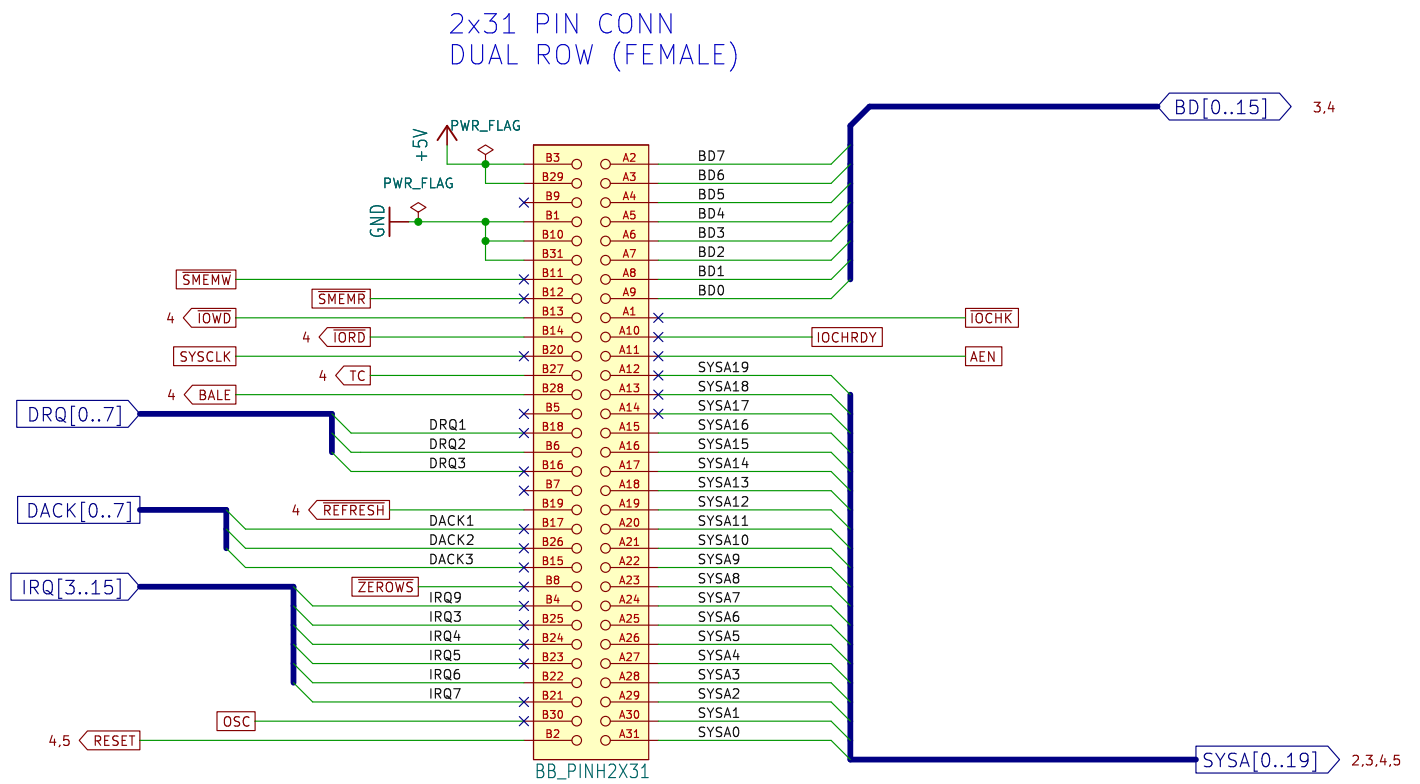
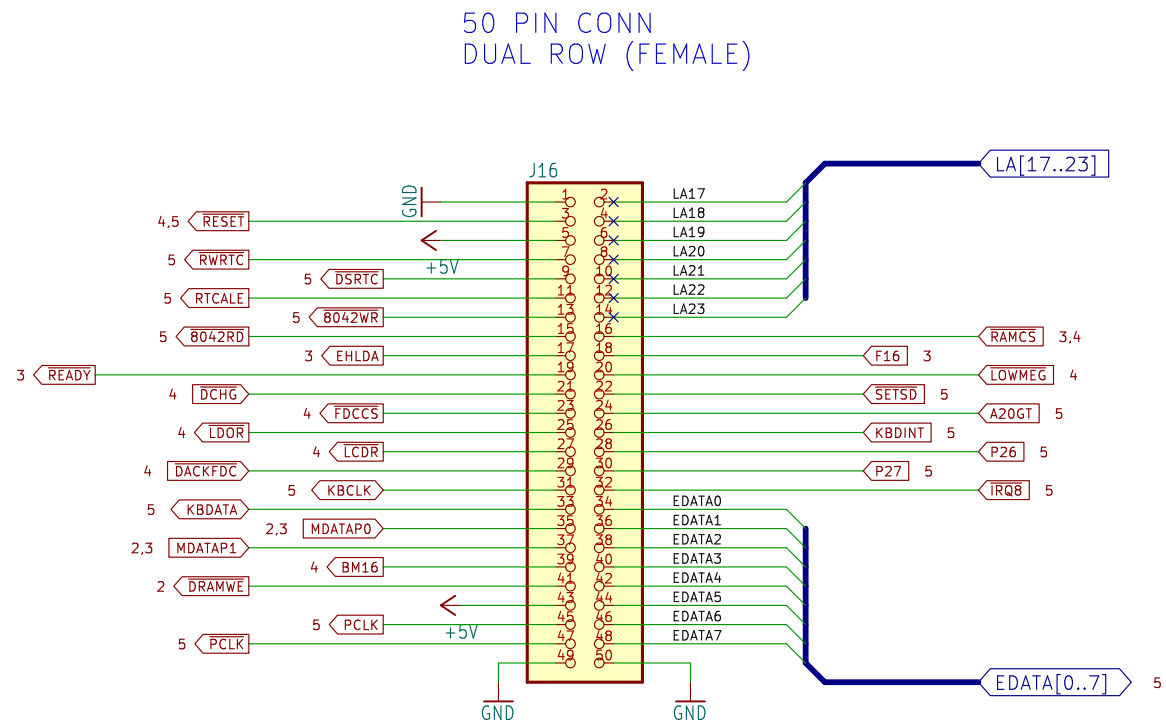
NOTES: 2* J5 SELECTS 1-2 640kB base memory 1* J6 SELECTS 1-2 AT type 1.2MB or 1.44MB

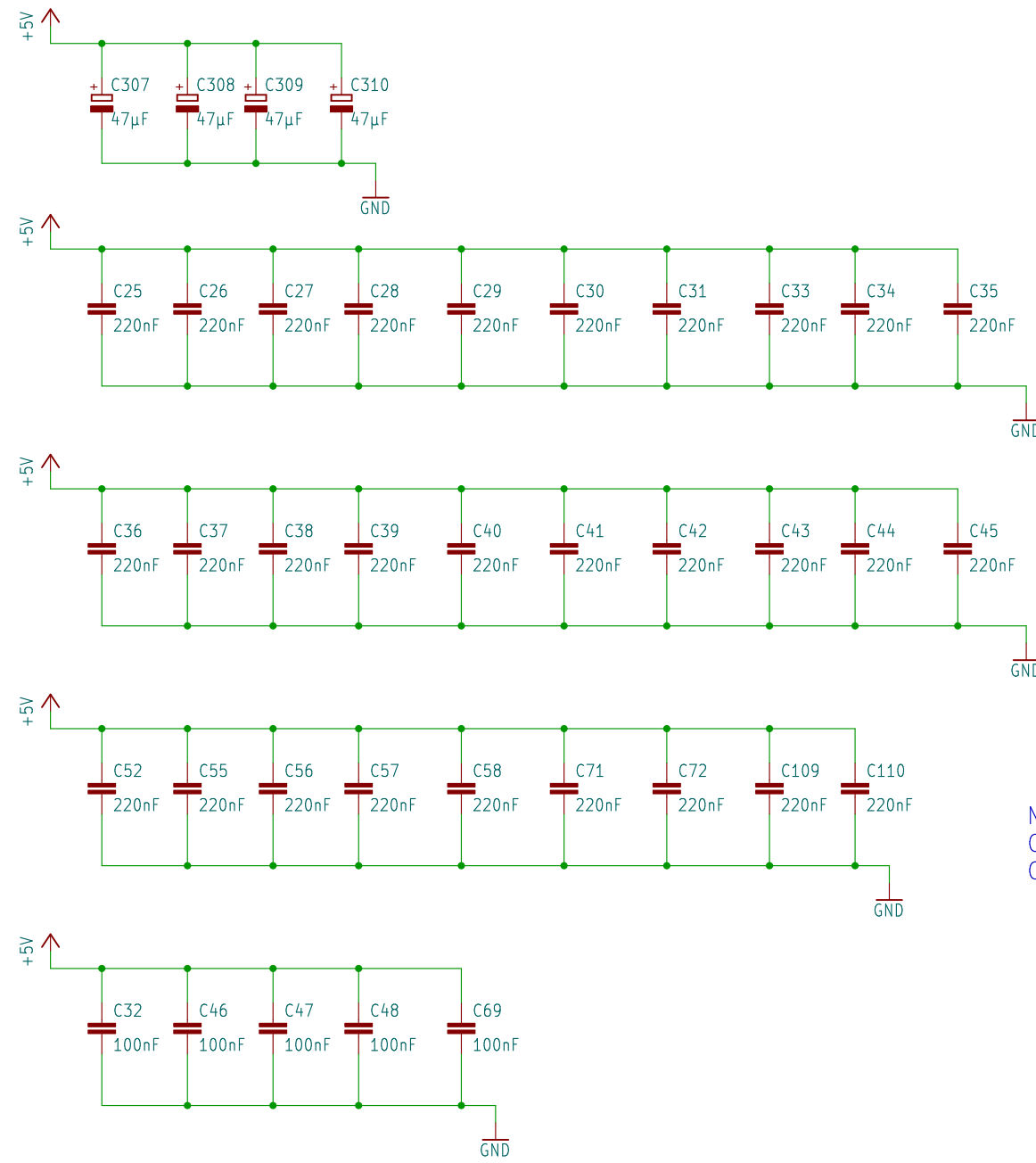
FDC & DECODING LOGIC		
Sheet: /04_FDC & DECODING LOGIC/		
File: A2286_Baby_RA_4.kicad_sch		
Title:		
Size: User	Date: 2024-03-30	Rev:
KiCad E.D.A. 8.0.1		Id: 4/8



NOTES: 1* J14 SELECTS VIDEO STARTUP MODE:
J14 1-4 CLOSED: MONOCHROM

RTC, KEYBOARD CONTROLLER		
Sheet: /05_RTC, KEYBOARD CONTROLLER/ File: A2286_Baby_RA_5.kicad_sch		
Title:		
Size: User	Date: 2024-03-30	Rev:
KiCad E.D.A. 8.0.1		Id: 5/8





Block Caps 5V:
 4 x 47µF / 16V
 29 x 220nF
 5 x 100nF

NOTES:
 C109 IS BLOCK CAP TO OSC2
 C110 IS BLOCK CAP TO OSC3



BLOCK CAPS		
Sheet: /07_BLOCK CAPS/		
File: A2286_Baby_RA_7.kicad_sch		
Title:		
Size: User	Date: 2024-03-30	Rev:
KiCad E.D.A. 8.0.1		Id: 7/8