

1 INFO

-
- 1-0.0 INDEX - INFO SECTION TECHTOPICS ISSUE 20 MARCH 88.
 - 1-1.1 NO CREDIT ISSUED FOR NON-REPAIRABLE UNITS.
 - 1-2.1 INSTALLATION OF HARDWARE ADD-ON KITS FOR END USERS.
 - 1-3.1 IN WARRANTY REPAIR REQUIREMENTS.
 - 1-4.1 COMMODORE SERVICE POLICY.
 - 1-5.1 TEST SYSTEMS AVAILABLE TO SERVICE CENTERS.
-

2 PARTS

-
- 2-0.0 INDEX - PARTS SECTION TECHTOPICS ISSUE 20 MARCH 88.
 - 2-1.1 CURRENT SERVICE KIT CONTENTS.
 - 2-2.1 PARTS UPDATE - ISSUE 20, MARCH 1988.
-

3 AMIGA

-
- 3-0.0 INDEX - AMIGA SECTION TECHTOPICS ISSUE 20 MARCH 88.
 - 3-1.1 A2000 SYSTEM CLOCK FIX.
 - 3-1.2 ATTACHMENT - A2000 POWER SUPPLY REFERENCE SCHEMATIC.
 - 3-1.3 ATTACHMENT - A2000 POWER SUPPLY BOARD LAYOUT.
 - 3-2.1 FLAT PACK CHIP EXTRACTOR.
 - * 3-3.1 A1020 DISK DRIVE FIX FOR A500 OPERATIONS. *
 - 3-3.2 ATTACHMENT - A1020 DISK DRIVE SCHEMATIC # 328171.
-

4 CBM

-
- 4-0.0 INDEX - CBM SECTION TECHTOPICS ISSUE 20 MARCH 88.
 - 4-1.1 1541-II SERVICE MANUAL ADDENDUM # 314861-01
 - 4-1.2 ENCLOSURE: 20/4-1.2 - 1541-II ADDENDUM.
 - 4-2.1 1750/1764 SCHEMATICS # 312534 / 311752
 - 4-2.2 ENCLOSURE: 20/4-2.2 - 1750/1764 SCHEMATICS.
 - 4-3.1 1084 MONITOR SCHEMATICS - OEM REFERENCE.
 - 4-3.2 ENCLOSURE: 20/4-3.2 - 1084 MONITOR SCHEMATICS.
 - 4-4.1 NEW DIAGNOSTIC - 1571/128D DIAGNOSTICS # 314855-01.
 - 4-4.2 ENCLOSURE: 20/4-4.2 - 1571/128D DIAG MANUAL W/ DISK
 - 4-5.1 1581 FLOPPY DISK CONTROLLER 1772 - AVAILABILITY.
 - 4-6.1 C64 B3 PCB EXCHANGE
-

5 PC

-
- 5-0.0 INDEX - PC SECTION TECHTOPICS ISSUE 20, MARCH 88.
 - 5-1.1 PC10-III SERVICE MANUAL ADDENDUM # 314859-01
 - 5-1.2 ENCLOSURE: 20/5-1.2 - PC10-III ADDENDUM.
-

1

INFO

-
- 1-0.0 INDEX - INFO SECTION TECHTOPICS ISSUE 20 MARCH 88.
 - 1-1.1 NO CREDIT ISSUED FOR NON-REPAIRABLE UNITS.
 - 1-2.1 INSTALLATION OF HARDWARE ADD-ON KITS FOR END USERS.
 - 1-3.1 IN WARRANTY REPAIR REQUIREMENTS.
 - 1-4.1 COMMODORE SERVICE POLICY.
 - 1-5.1 TEST SYSTEMS AVAILABLE TO SERVICE CENTERS.
-

- 1-1.1 NO CREDIT ISSUED FOR NON-REPAIRABLE UNITS.

COMMODORE WILL RETURN ALL PRINTED CIRCUIT BOARDS AND DRIVE ASSEMBLIES CLASSIFIED AS NON-REPAIRABLE UNITS.

YOU MAY NOT RETURN UNITS WITH, BUT NOT LIMITED TO, ANY OF THE FOLLOWING:

- 1) UNITS CONTAINING OIL, SOFT DRINKS, COFFEE OR ANY FOREIGN SUBSTANCE.
- 2) PRINTED CIRCUIT BOARDS WHICH:
 - A) ARE CRACKED BURNED, OR BROKEN.
 - B) HAVE MISSING COMPONENTS AND/OR PARTS.
 - C) HAVE LIFTED TRACES/PADS DUE TO SOLDERING OR OTHER MODIFICATIONS.
- 3) CANNILBALIZED UNITS, BOARDS OR SUB-ASSEMBLIES.
- 4) DISK DRIVE ASSEMBLIES WITH EXPOSED, NICKED OR CUT WIRES.
- 5) UNITS CONTAINING ANY UNAUTHORIZED INSTALLED MODIFICATIONS.

1-5.1 TEST SYSTEMS AVAILABLE TO SERVICE CENTERS.

SERVICE CENTERS ARE NOW ABLE TO PURCHASE THE EQUIPMENT LISTED BELOW. CENTERS ARE LIMITED TO TWO UNITS OF EACH TYPE AND UNITS ARE NOT FOR RESALE (UNITS WILL BE MARKED NOT FOR RESALE).

CPUS:	C128D	\$425.00
	PC10-III	TBA*
	A500	\$489.00
	A2000	\$1296.00
DISK DRIVES:	1541-II	\$161.00
	1571	\$197.00
	1581	\$163.00
MONITOR:	1084	\$260.00
MODEMS:	C1670	TBA*
	A1680	\$92.00

(TBA* : TO BE ANNOUNCED)

THESE UNITS MAY BE ORDERED THROUGH THE 800 PARTS NUMBER AND WILL BE AVAILABLE THE END OF MARCH.

1-2.1 INSTALLION OF HARDWARE ADD-ON KITS FOR END USERS.

COMMODORE SERVICE RECOMMENDS THAT AUTHORIZED SERVICE CENTERS PERFORM ALL INSTALLATIONS, AND TESTS OF HARDWARE ADD-ON KITS FOR YOUR CUSTOMERS. THERE IS NO RECOMMENDED INSTALLATION FEE.

WARNING: AS STATED IN INSTALLATION GUIDES.

COMMODORE WILL NOT BE RESPONSIBLE FOR ANY DAMAGE TO EITHER THE COMPUTER OR THE KIT CAUSED BY IMPROPER INSTALLATION OF THE KIT. SUCH IMPROPER INSTALLATION WILL VOID THE WARRANTIES ON BOTH THE COMPUTER AND THE KIT COMPONENT HARDWARE.

1-3.1 IN-WARRANTY REPAIR REQUIREMENTS.

ALL SERVICE CENTERS AUTHORIZED BY COMMODORE FOR WARRANTY REPAIRS MUST COMPLY WITH WARRANTY POLICIES.

AUTHORIZED SERVICE CENTERS ARE REQUIRED TO SERVICE ANY COMMODORE PRODUCT, WITHIN THE PRODUCT LINES FOR WHICH THEY ARE QUALIFIED, IF THE CUSTOMER CAN PROVIDE A VALID PROOF OF WARRANTY, REGARDLESS OF PLACE OF PURCHASE.

REFUSAL TO SERVICE ANY VALID IN-WARRANTY CLAIM MAY RESULT IN CANCELLATION OF YOUR SERVICE CONTRACT.

1-4.1 COMMODORE SERVICE POLICY

COMMODORE WILL NOT BE RESPONSIBLE FOR, OR PROVIDE TECHNICAL SUPPORT FOR IMPROPER OPERATION OF THIRD PARTY APPLICATION SOFTWARE RESULTING FROM NEW HARDWARE REVISIONS AND DESIGNS, OR NEW OPERATING SYSTEM ENVIRONMENTS.

THIRD PARTY APPLICATION SOFTWARE VENDORS ARE RESPONSIBLE FOR MODIFYING THEIR SOFTWARE WHEN A HARDWARE UPGRADE IS INTRODUCED OR THE OPERATING SYSTEM IS UPGRADED.

5

PC

-
- 5-0.0 INDEX - PC SECTION TECHTOPICS ISSUE 20, MARCH 88.
- 5-1.1 PC10-III SERVICE MANUAL ADDENDUM # 314859-01
- 5-1.2 ENCLOSURE: 20/5-1.2 - PC10-III ADDENDUM.
-

- 5-1.1 PC10-III SERVICE MANUAL ADDENDUM # 314859-01.
- NEW RELEASE OF PC10-III SERVICE SCHEMATICS
AND PARTS LIST.

- 5-1.2 ENCLOSURE: 20/5-1.2 - PC10-III ADDENDUM.

ENCLOSED WITH TECHTOPICS ISSUE 20, MAILED MARCH 1988.
INSERT THIS ADDENDUM INTO YOUR PC SERVICE MANUAL.

4-4.1 NEW DIAGNOSTIC - 1571/128D DIAGNOSTICS # 314855-01.
NEW DIAGNOSTIC DISKETTE WITH MAUNAL FOR 1571, C128D.

4-4.2 ENCLOSURE: 20/4-4.2 - 1571/128D DIAG MANUAL W/ DISK.
ENCLOSED WITH TECHTOPICS ISSUE 20 , MAILED MARCH 1988.

4-5.1 1581 FLOPPY DISK CONTROLLER 1772 - AVAILABILITY.
WESTERN DIGITAL 1772 FLOPPY DISK CONTROLLER IC HAS
BEEN RECIEVED IN PARTS. REFER TO TECHTOPICS ISSUE 18
4-1.1 FOR DETAILS ON 1581 REPAIR FIX.
CBM PART NUMBER IS 310651-02.
WARRANTY LABOR RATE OF \$20.00 STILL APPLIES TO THIS
FIX.

4-6.1 C64 B3 PCB EXCHANGE

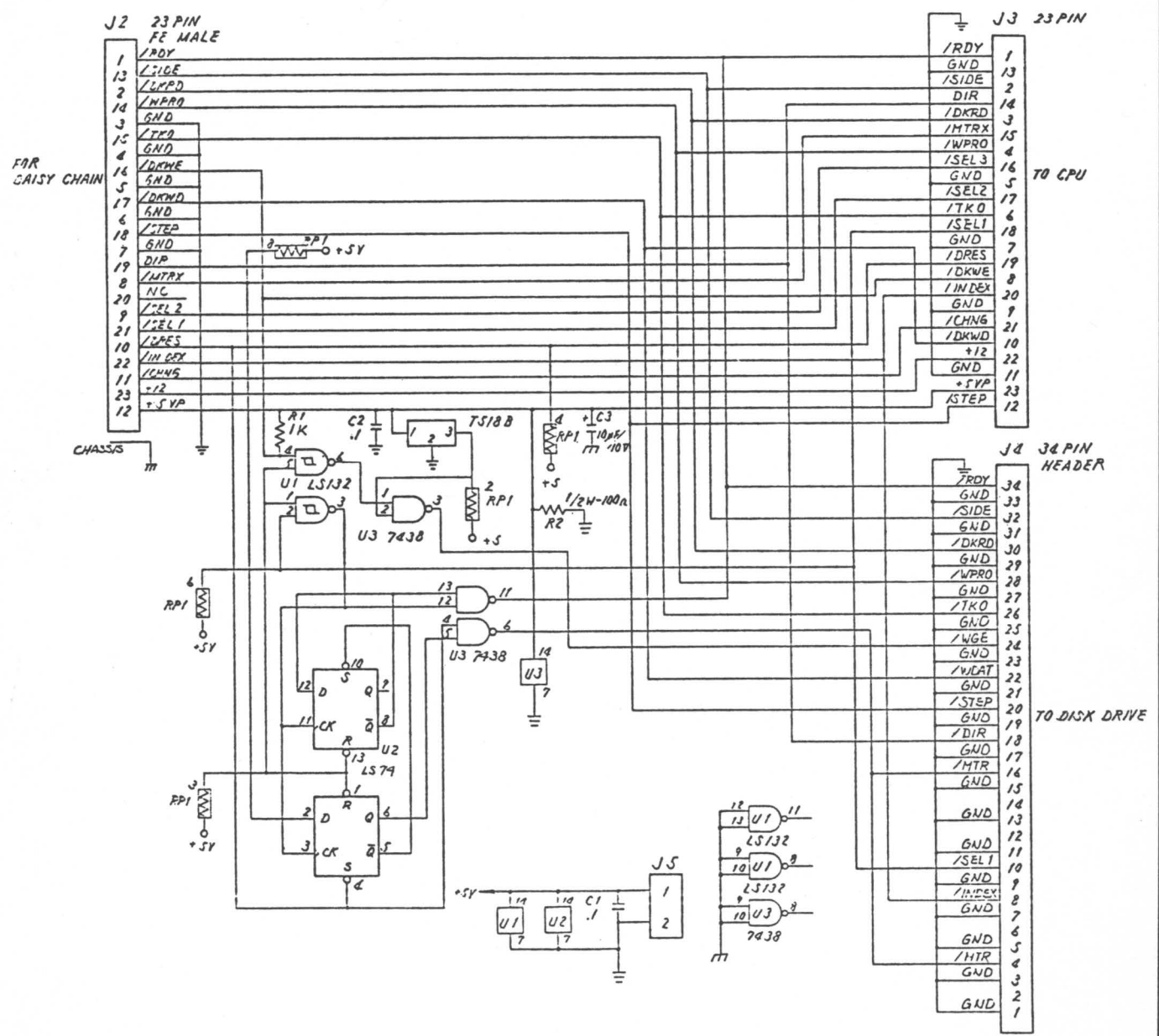
NOTE: WITH NEW C64C UNITS ONLY THE B3 AND E TYPE
PCB'S WILL FIT IN NEW STYLE CASEWORK. YOU
WILL NOT BE ABLE TO USE A OR B TYPE PCB'S.

4

CBM

-
- 4-0.0 INDEX - CBM SECTION TECHTOPICS ISSUE 20 MARCH 88.
- 4-1.1 1541-II SERVICE MANUAL ADDENDUM # 314861-01.
- 4-1.2 ENCLOSURE: 20/4-1.2 - 1541-II ADDENDUM.
- 4-2.1 1750/1764 SCHEMATICS # 312534 / 311752
- 4-2.2 ENCLOSURE: 20/4-2.2 - 1750/1764 SCHEMATICS.
- 4-3.1 1084 MONITOR SCHEMATICS - OEM REFERENCE.
- 4-3.2 ENCLOSURE: 20/4-3.2 - 1084 MONITOR SCHEMATICS.
- 4-4.1 NEW DIAGNOSTIC - 1571/128D DIAGNOSTICS # 314855-01.
- 4-4.2 ENCLOSURE: 20/4-4.2 - 1571/128D DIAG MANUAL W/ DISK
- 4-5.1 1581 FLOPPY DISK CONTROLLER 1772 - AVAILABILITY.
- 4-6.1 C64 B3 PCB EXCHANGE
-
- 4-1.1 1541-II SERVICE MANUAL ADDENDUM # 314861-01
- NEW UPDATE FOR 1541-II FLOPPY DISK DRIVE. PLEASE INSERT INTO YOUR 1541 SERVICE MANUAL. NOTE, THIS ADDENDUM UPGRADES 1541 SERVICE MANUAL TO PART NUMBER 314862-01.
- 4-1.2 ENCLOSURE: 20/4-1.2 - 1541-II ADDENDUM
ENCLOSED WITH TECHTOPICS ISSUE 20, MAILED MARCH 1988.
- 4-2.1 1750/1764 SCHEMATICS # 312534 / 311752.
- SCHEMATIC DIAGRAMS FOR 1750 AND 1764 RAM EXPANSION MODULES. NOTE, RAM EXP CONTROLLER WAS ADDED TO PARTS LIST IN DECEMBER TECHTOPICS.
- 4-2.2 ENCLOSURE: 20/4-2.2 - 1750/1764 RAM EXP SCHEMATICS.
ENCLOSED WITH TECHTOPICS ISSUE 20, MAILED MARCH 1988.
- 4-3.1 1084 MONITOR SCHEMATICS - OEM REFERENCE.
- SCHEMATIC DIAGRAMS FOR PHILIPS TYPE 1084 MONTIOR.
MORE TECHNICAL DATA TO BE RELEASED AS SOON AS IT BECOMES AVAILABLE.
- 4-3.2 ENCLOSURE: 20/4-3.2 - 1084 MONITOR SCHEMATICS.
ENCLOSED WITH TECHTOPICS ISSUE 20 , MAILED MARCH 1988.

3-3.2 ATTACHMENT - A1020 DISK DRIVE SCHEMATIC # 328171.

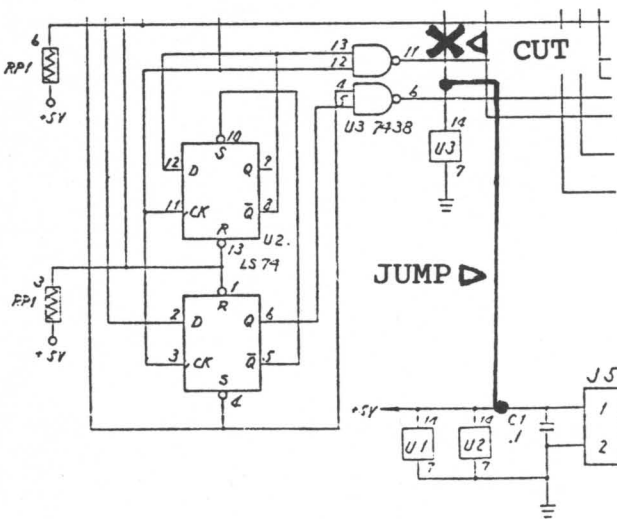


3-3.1 A1020 DISK DRIVE FIX FOR A500 OPERATIONS

THE FOLLOWING MODIFICATION TO THE A1020 IS REQUIRED FOR OPERATIONS WITH THE A500. A WARRANTY LABOR RATE OF \$20.00 WILL BE CREDITED FOR THIS FIX ON DRIVES WITHIN THE COMMODORES NORMAL 90 DAY WARRANTY. UNITS OUTSIDE OF WARRANTY PERIOD WILL NOT RECIEVE CREDIT.

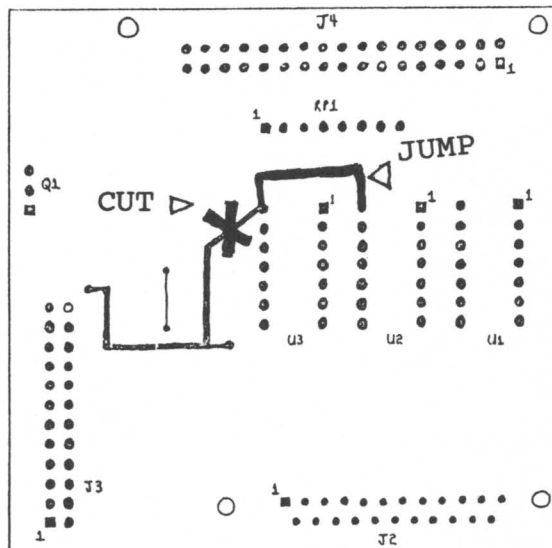
REFER TO ATTACHED A1020 DRIVE SCHEMATIC #328171. CUT +5V TRACE FROM J3 TO PIN 14 OF U3. JUMPER U3 PIN 14 TO U2 PIN 14 (SEE DETAIL DIAGRAMS BELOW). NOTE: REVISION IS TO BE MADE ON NON-COMPONENT SIDE OF PCB (SEE DIAGRAM B, BELOW).

DIAGRAM - A



SCHEMATIC DETAIL

DIAGRAM - B



NON-COMPONENT SIDE

3-2.1 FLAT PACK IC CHIP EXTRACTOR

A BURNDY CHIP EXTRACTOR #QILEXT-1 IS REQUIRED FOR REMOVAL OF NEW 84 PIN PLCC, SUCH AS F.AGNUS (AMIGA) AND FE2010A (PC10-III).

BURNDY REGIONAL OFFICE TELEPHONE NUMBERS ARE AS FOLLOWS. YOU MAY OBTAIN NAME OF NEAREST BURNDY REP BY CALLING THESE NUMBERS:

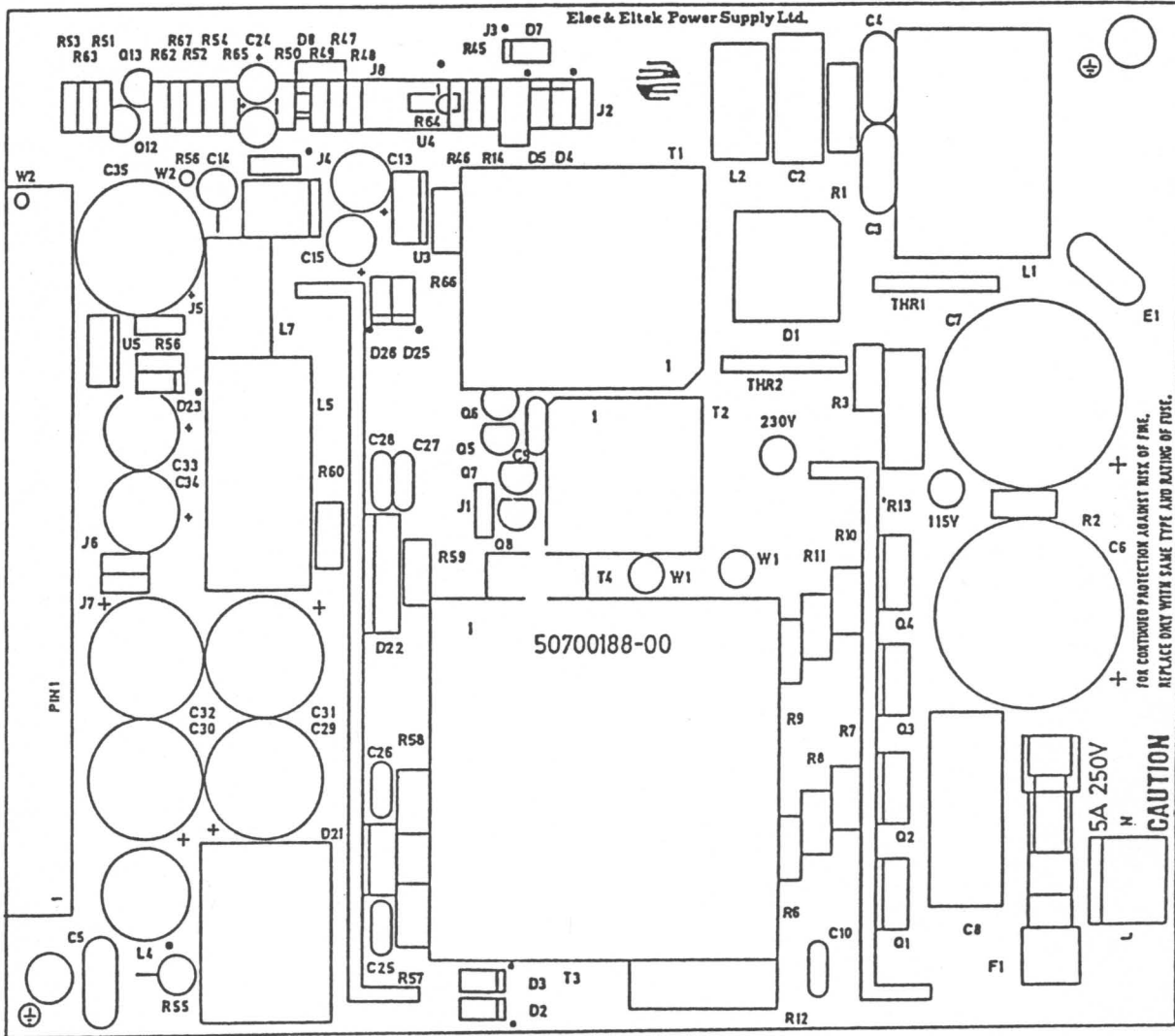
BURNDY HQ., CT.	(203) 838-4444
BURNDY, TEXAS.	(214) 840-8945
BURNDY, CALIF.	(408) 837-0470

THE FOLLOWING BURNDY REPS STOCK QILEXT-1. COST IS ABOUT \$12.00.

EAST COAST - PYTTRONICS	(215) 643-2850
MIDWEST - LECTRONIX	(314) 946-6424
WEST COAST - CETEC	(408) 434-1114 EXT 3113

COMMODORE SERVICE WILL MAKE THIS TOOL AVAILABLE IN THE NEAR FUTURE. AN ANNOUNCEMENT WILL BE MADE WHEN EXTRACTOR IS AVAILABLE THROUGH COMMODORE.

3-1.3 ATTACHMENT - A2000 POWER SUPPLY BOARD LAYOUT.

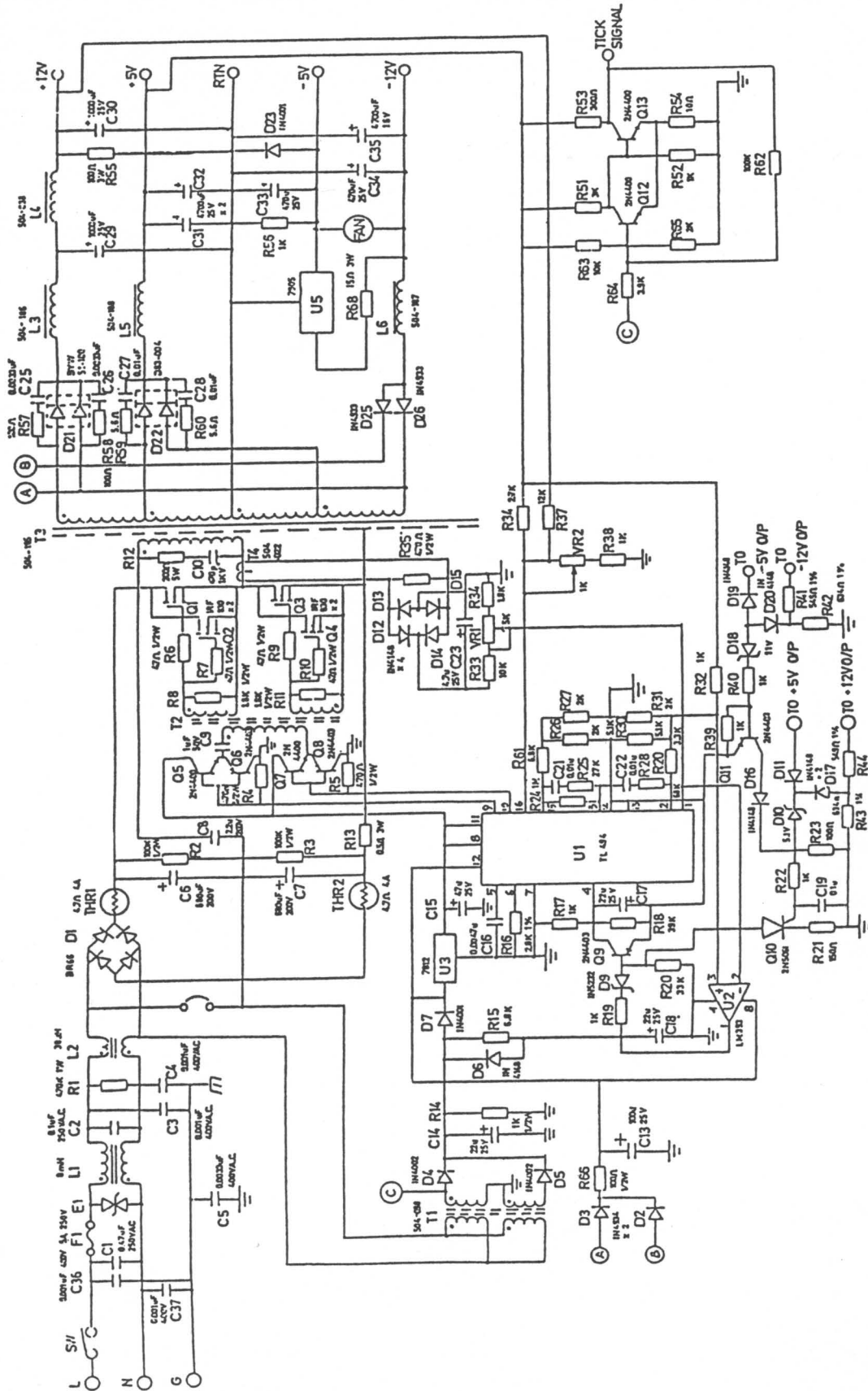


ELTEK TYPE - A2000 POWER SUPPLY BOARD LAYOUT.

FOR REFERENCE ONLY

ATTACHMENT 20/3-1.3

3-1.2 ATTACHMENT - A2000 POWER SUPPLY REFERENCE SCHEMATIC.



ELTEK TYPE - A2000 POWER SUPPLY SCHEMATIC.

FOR REFERENCE ONLY

ATTACHMENT 20/3-1.2

3

AMIGA

- 3-0.0 INDEX - AMIGA SECTION TECHTOPICS ISSUE 20 MARCH 88.
- 3-1.1 A2000 SYSTEM CLOCK FIX.
- 3-1.2 ATTACHMENT - A2000 POWER SUPPLY REFERENCE SCHEMATIC.
- 3-1.3 ATTACHMENT - A2000 POWER SUPPLY BOARD LAYOUT.
- 3-2.1 FLAT PACK CHIP EXTRACTOR.
- 3-3.1 A1020 DISK DRIVE FIX FOR A500 OPERATIONS.
- 3-3.2 ATTACHMENT - A1020 DISK DRIVE SCHEMATIC # 328171.

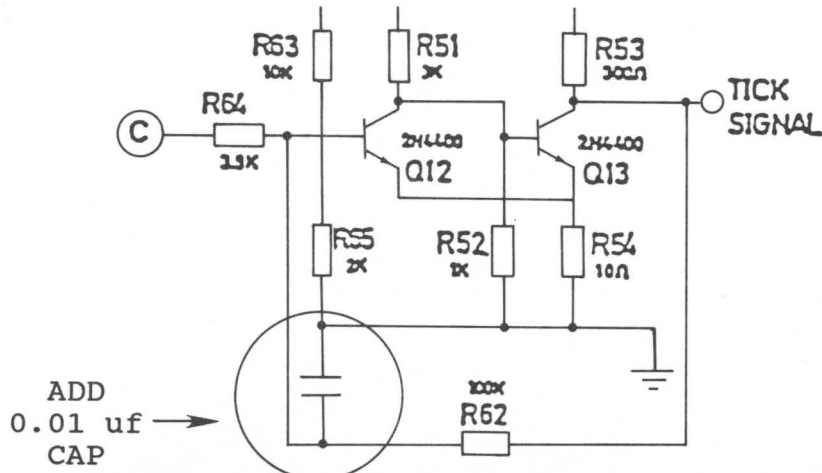
3-1.1 A2000 SYSTEM CLOCK FIX.

THE A2000 SYSTEM CLOCK CAN RUN FAST FOR TWO REASONS.

- 1) JUMPER J300 IN WRONG POSITION.
- 2) NOISE ON TICK SIGNAL FROM ELTEK TYPE POWER SUPPLY.

A WARRANTY LABOR RATE OF \$20.00 WILL BE CREDITED FOR THE FOLLOWING FIX ON THE ELTEK TYPE POWER SUPPLY TO CORRECT NOISE ON TICK SIGNAL. NOTE, A WHITE '00' STICKER IS ON POWER SUPPLIES WHICH HAVE THE MODIFICATION INSTALLED.

REFER TO ATTACHEMENT, ELTEK POWER SUPPLY SCHEMATIC. CHECK PIN 14 (TICK SIGNAL) OF CN400 WITH SCOPE FOR NOISE. ADD, ON POWER SUPPLY, 0.01 UF CAPACITOR BETWEEN R65 (GND SIDE), AND R62, AS INDICATED IN DETAIL DIAGRAM BELOW.



A2000 SYSTEM CLOCK FIX DIAGRAM

2-2.1 PARTS UPDATE - CONTINUED

PART NUMBER	DESCRIPTION	UNIT	CRRU	DB	SR
314885-88	TECH SUBSCRI- CBM/AMIGA/PC	DIAG		129.95	
314886-88	TECH SUBSCRIPT - PC	DIAG		69.95	
314887-88	TECH SUBSCRIPT - AMIGA	DIAG		89.95	
314888-88	TECH SUBSCRIPT - CBM	DIAG		29.95	
314965-01	SUB: 314965-02				
314965-02	KIT AMIGA ALIGN V 2.0	DIAG		100.00	
314966-01	DISK ALIGN PROG A1000 V1.0	DIAG		20.00	
314966-02	DISK ALIGN PROG A500 V1.1	DIAG		20.00	
314967-02	MANUAL DIA ALIGN AMIGA 1.1	DIAG		15.00	
314968-01	DISK ALIGN DIGILOG AMIGA	DIAG		75.00	
315818-01	SOFTWARE PAC	A2000		25.00	
318011-03	**NO LONGER AVAILABLE**	SUB: 318029-03			
325566-12	OSC 28.63636 MHZ X1	A2000		5.00	8.
326166-02	SUB: 326166-04				
326166-03	SUB: 326166-04				
327137-01	PCB ASSY - MAIN W/OS RAM	A1000	100.00	200.00	
340031-01	POWER SUPPLY 1541-II	1541-II		30.00	49.
340503-01	PCB ASSY 1541-II	1541-II	40.00	80.00	
351523-01	BRACKET - (NEWT) 1541II	1541-II		5.00	8.
351523-02	BRACKET - (CHINON) 1541II	1541-II		5.00	8.
353307-01	KNOB (LEVER 02.9) (NEWT)	1541-II		2.50	4.
353307-02	KNOB (LEVER) (CHINON)	1541-II		2.50	4.
353307-03	KNOB (LEVER) (NEWT)	1541-II		2.50	4.
353307-04	KNOB (LEVER 03.0) (NEWT)	1541-II		2.50	4.
353308-01	BEZEL (NEWT)	1541-II		3.60	6.
353308-02	BEZEL (CHINON)	1541-II		3.60	6.
353412-01	CASE - TOP	1541-II		6.00	10.
353413-01	CASE - BOTTOM	1541-II		6.00	10.
354139-01	MANUAL USER	1541-II		4.00	6.
359800-08	DISKETTE DEMO C64	1541-II		5.00	8.
359800-09	DISKETTE DEMO 1551/1541	1541-II		5.00	8.
359901-01	DRIVE ASSY NEWT D500	1541-II	40.00	80.00	
359902-01	DRIVE ASSY CHINON FZ501	1541-II	40.00	80.00	
604020-50	DOOR/LATCH/LEVER ASSY NEWT	1541		15.00	25.
604060-05	ZERO TRK ASSY (ALPS)	1571		5.25	8.
906109-01	IC 6567 VIC	C64		15.50	25.
906109-04	SUB: 906109-01				

2-2.1 PARTS UPDATE - ISSUE 20, MARCH 1988

PLEASE MAKE THE FOLLOWING UPDATES TO YOUR
BLUE PARTS BOOK 6/87.

PART NUMBER	DESCRIPTION	UNIT	CRRU	DB	SR
1540002-01	SUB: 251868-01				
251053-02	SUB: 251053-10				
251828-01	SUB: 251828-03				
251828-03	IC 40 PIN GATE ARRAY	1571/1541B		7.50	12.
251868-01	POWER SUPPLY ASSY	1541B		21.00	35.
251968-03	ROM	1541III			
251987-01	SUB: 251987-02				
251987-02	CASE TOP	C128		5.60	9.
252083-01	SUB: 252083-02				
252095-01	SUB: 252095-04				
252095-04	MANUAL USERS	1571		4.00	6.
310416-05	SUB: 310416-01				
310510-01	SUB: 310510-05				
310510-03	SUB: 310510-05				
310651-02	IC LSI FDC 1772	1571/1581		25.00	41.
312550-01	DRIVE ASSY 3.5 FLOPPY	1581		100.00	166.
312554-01	DRIVE ASSY 3.5 FLOPPY	A500		100.00	166.
314001-02	SUB: 314001-03				
314001-03	MANUAL - SERVICE C64/C64C	DIAG		20.00	25.
314001-09	MANUAL - SERVICE C16	DIAG		15.00	25.
314020-04	KIT CBM STARTUP	DIAG		450.00	
314020-05	KIT AMIGA STARTUP	DIAG		225.00	
314020-06	KIT PC STARTUP	DIAG		225.00	
314020-07	KIT MASTER STARTUP	DIAG		600.00	
314139-01	CARTRIDGE DIAG C64 DT	DIAG		25.00	
314139-02	MANUAL DIAG C64 DT	DIAG		15.00	
314851-01	CABLE RGB	1084		20.00	
314853-01	KIT PC10 DRIVE ALIGNMENT	DIAG		125.00	
314853-02	DISK DIAG PROG PC W/INST	DIAG		75.00	
314853-03	DISK DIAG ANALOG PC	DIAG		75.00	
314854-01	KIT DISK DIAG 1581	DIAG		85.00	
314854-02	DISK DIAG PROG 1581 V1.5	DIAG		15.00	
314854-03	DISK ANALOG 1581 135 TPI	DIAG		75.00	
314854-04	MANUAL DIAG 1581 V1.5	DIAG		15.00	
314855-01	KIT DISK DIAG 1571/128D	DIAG		85.00	
314855-02	DISK DIAG 1571/C128D V1.2	DIAG		15.00	
314855-03	MANUAL DIA 1571/C128D V1.2	DIAG		15.00	

318042-01	KIT PC10 HARD DRIVE MOUNTING	10.00
INCLUDES:		
	380124-01 SUB CHASSIS HARD DISK (1)	
	380125-01 PLATE HOLDING HARD DRIVE (2)	
	312219-01 SHOCK ABSORBER RUBBER (4)	
	905655-04 WASHER LOCK EXT TOOTH M4 (4)	
	907272-06 WASHER FLAT M4.3 (4)	
	906800-03 SCREW PHL PAN HD M3 X 8 (8)	
314060-01	C128/C128D DIAG ASSY W/MANUAL (COMPLETE)	130.0
INCLUDES:	(NOTE: NOT CLASSIFIED AS A KIT)	
	314061-02 C64/128/128D DIAG ASY (CONN USER POR	
	314061-04 C64/128/128D DIAG ASSY (CABLE ASSY)	
	314061-06 C128/C128D DIAG CARTRIDGE	
	314061-07 C128 DIAG ASSY (CONN KYBRD)	
	314987-01 C128D DIAG ASSY (CONN KYBRD)	

SERVICE KITS - CONTINUED		
314130-01	KIT IC REPAIR - C64 CPU	48.00
INCLUDES:	251527-01 IC 8701 CLK GEN	
	906107-01 IC MPU 6510	
	906108-02 IC 6526A CIA	
	906109-04 IC 6567 VIC	
	906112-01 IC 6581 SID	
	906114-01 IC PLA	
314133-01	KIT IC REPAIR 1541B/1571N	65.00
INCLUDES:	251828-01 IC GATE ARRAY 40 PIN	
	251853-01 IC R/W HYBRID	
	251968-02 ROM 1541B DOS	
	310653-01 IC 65C22A	
	310654-05 ROM 1571 DOS	
	901435-01 IC MPU 6502 1MMHZ	
	906108-02 IC 6526A CIA	
314132-01	KIT IC REPAIR 1541A/N SHORT	16.00
INCLUDES:	325572-01 IC GATE ARRAY	
	901229-05 ROM 1541 \$E000-\$FFFF	
	901435-01 IC MPU 6502 1MHZ	
	901437-01 IC 6522 VIA	
314972-01	KIT ROM UPGRADE C128	13.00
INCLUDES:	318018-04 ROM BASIC LOW (U33)	
	314019-04 ROM BASIC HIGH (U34)	
	314020-05 ROM KERNAL (U35)	
319984-01	KIT PC10 CPU DIAGNOSTICS	125.00
CONTAINS:	PC PROGRAM DISKETTE	
	SYSTEM TEST DISKETTE #1	
	SYSTEM TEST DISKETTE #2	
	INSTRUCTION BOOKLET	
	SERIAL PORT CONNECTOR	
	PARALLEL PORT CONNECTOR	
314853-01	KIT PC10 DRIVE ALIGNMENT	125.00
INCLUDES:	314853-02 PC10 DIAG PROG DISK W/INSTR.	
	314853-03 PC10 DIAG ANALOG DISKETTE	

SERVICE KITS - CONTINUED

314065-01	KIT AMIGA SERVICE A1000	375.00
INCLUDES:	327137-01 PCB ASSY A1000 (100.00 CRRU)	
	327173-01 POWER SUPPLY ASSY	
	327063-01 KEYBOARD ASSY	
	327124-01 MOUSE ASSY	
	327156-01 DRIVE ASSY	
	327059-01 KEYBOARD CABLE	
	327177-01 A1050 RAM EXP CART	
	314066-01 DIAGNOSTIC AIDE	
314067-02	KIT IC REPAIR	125.00
INCLUDES:	318070-01 FAT AGNUS 8370 R3	
	252127-02 PAULA 8364 R7	
	252126-02 DENISE 8362 R8	
	318072-01 GARY 5719	
	318029-02 8520 R4 1MHZ	
	318075-02 BUSTER	
314058-01	KIT DISK DIAG 1541/CPU	85.00
INCLUDES:	314051-02 DIAG DISK W/MANUAL 2.0	
	970016-01 48 TPI ANALOG ALIGN DISK	
314855-01	KIT DISK DIAG 1571/128D	85.00
INCLUDES:	314855-02 DIAG DISK 1571/C128D V 1.2	
	314855-03 DIAG MANUAL 1571/C128D V 1.2	
	970016-01 48 TPI ANALOG ALIGN DISK	
314854-01	KIT DISK DIAG 1581	85.00
INCLUDES:	314854-02 DIAG PROG DISK 1581 V1.5	
	314854-03 DIAG ANALOG DISK 1581 135 TPI	
	314854-04 DIAG MANUAL 1581 V1.5	
314131-01	KIT IC REPAIR - C128 CPU	55.00
INCLUDES:	251527-07 IC 8701K6 CLK GEN NTSC	
	315009-01 IC 8564 R4 VIC	
	315012-01 IC 8721 R3 PLA	
	315014-04 IC 8563 R9 CRT CONTROLLER	
	315020-01 IC MPU 8502	

SERVICE KITS - CONTINUED

314020-04 KIT CBM STARTUP - CONTINUED

314051-01 1541 DIAG DISK V2.0 W/MANUAL
 314855-02 1571 DIAG DISKETTE V1.2
 314855-03 1571 DIAG MANUAL V1.2
 970016-01 48 TPI ANALOG ALIGN DISK
 314854-02 1581 DIAG DISKETTE V1.5
 314854-03 135 TPI ANALOG ALIGN DISK
 314854-04 1581 DIAG MANUAL V1.5

314020-05 KIT AMIGA STARTUP 225.00
INCLUDES:

314038-02 A1000 SERVICE MANUAL
 314981-01 A500 SERVICE MANUAL
 314135-01 A2000 SYSTEM SCHEMATICS
 314041-01 1080 SERVICE MANUAL
 314041-02 1080A SERVICE MANUAL
 314983-01 A1300 GENLOCK SERVICE MANUAL

 317629-01 A1000 TEST DEMO DISKETTE
 314966-01 A1000 ALIGN PROG DISKETTE V1.0
 314966-02 A500/A2000 ALIGN PROG DISK V1.1
 314967-02 AMIGA A1000/A500/A2000 ALIGN INSTR
 314968-01 AMIGA ALIGN DIGILOG DISK

314020-06 KIT PC STARTUP 225.00
INCLUDES:

319914-01 PC10-1/2 SERVICE MANUAL
 314970-01 1901 SERVICE MANUAL

 314984-01 PC10 CPU DIAG KIT W/ INSTR
 314853-01 PC10 DRIVE DIAG KIT W/INSTR

314965-02 KIT AMIGA ALIGN V 2.0 100.00
INCLUDES:

314966-01 A1000 ALIGN PROG DISK V 1.0
 314966-02 A500/A2000 ALIGN PROG DISK V 1.1
 314967-02 AMIGA A1000/A500/A2000 INSTRUCTIONS
 314968-01 AMIGA ALIGN DIGILOG DISK

2

PARTS

-
- 2-0.0 INDEX - PARTS SECTION TECHTOPICS ISSUE 20 MARCH 88.
 2-1.1 CURRENT SERVICE KIT CONTENTS.
 2-2.1 PARTS UPDATE - ISSUE 20, MARCH 1988.
-

2-1.1 CURRENT SERVICE KIT CONTENTS.

THE FOLLOWING LIST DETAILS THE CURRENT CONTENTS OF SERVICE KITS. THIS LIST UPDATES PAGES 1 AND 2 IN BLUE PARTS BOOK 6/87.

- | | | |
|------------------------|--|--------|
| 314020-07
INCLUDES: | KIT MASTER STARTUP | 600.00 |
| | 314020-04 CBM STARTUP KIT | |
| | 314020-05 AMIGA STARTUP KIT | |
| | 314020-06 PC STARTUP KIT | |
| 314020-04
INCLUDES: | KIT CBM STARTUP | 450.00 |
| | 314001-03 C64/C64C SERVICE MANUAL | |
| | 314001-08 C128/C128D SERVICE MANUAL | |
| | 314002-01 1541 SERVICE MANUAL | |
| | 314002-04 1571 SERVICE MANUAL | |
| | 314982-01 1581 SERVICE MANUAL | |
| | 314136-01 1802/1802C TECH DATA | |
| | 314004-03 1902 SERVICE MANUAL | |
| | 314004-04 1902A SERVICE MANUAL | |
| | 314003-05 MPS803 SERVICE MANUAL | |
| | 319907-01 MPS1000 SERVICE MANUAL | |
| | 601210-19 MPS1200 SERVICE MANUAL | |
| | 326070-01 C64 DIAG ASSY W/MANUAL | |
| | CONTAINS: | |
| | 314061-01 C64 DIAG CARTRIDGE | |
| | 314061-02 C64/128D DIAG ASSY (CONN USER) | |
| | 314061-03 C64 DIAG ASSY (CONN KYBRD) | |
| | 314061-04 C64/128/128D DIAG CABLE ASSY | |
| | 314061-05 C64 DIAG MANUAL | |
| | 314060-02 C128/C128D ADD-ON W/MANUAL | |
| | CONTAINS: | |
| | 314061-06 C128/C128D DIAG CARTRIDGE | |
| | 314061-07 C128 DIAG ASSY (CONN KYBRD) | |
| | 314987-01 C128D DIAG ASSY (CONN KYBRD) | |