

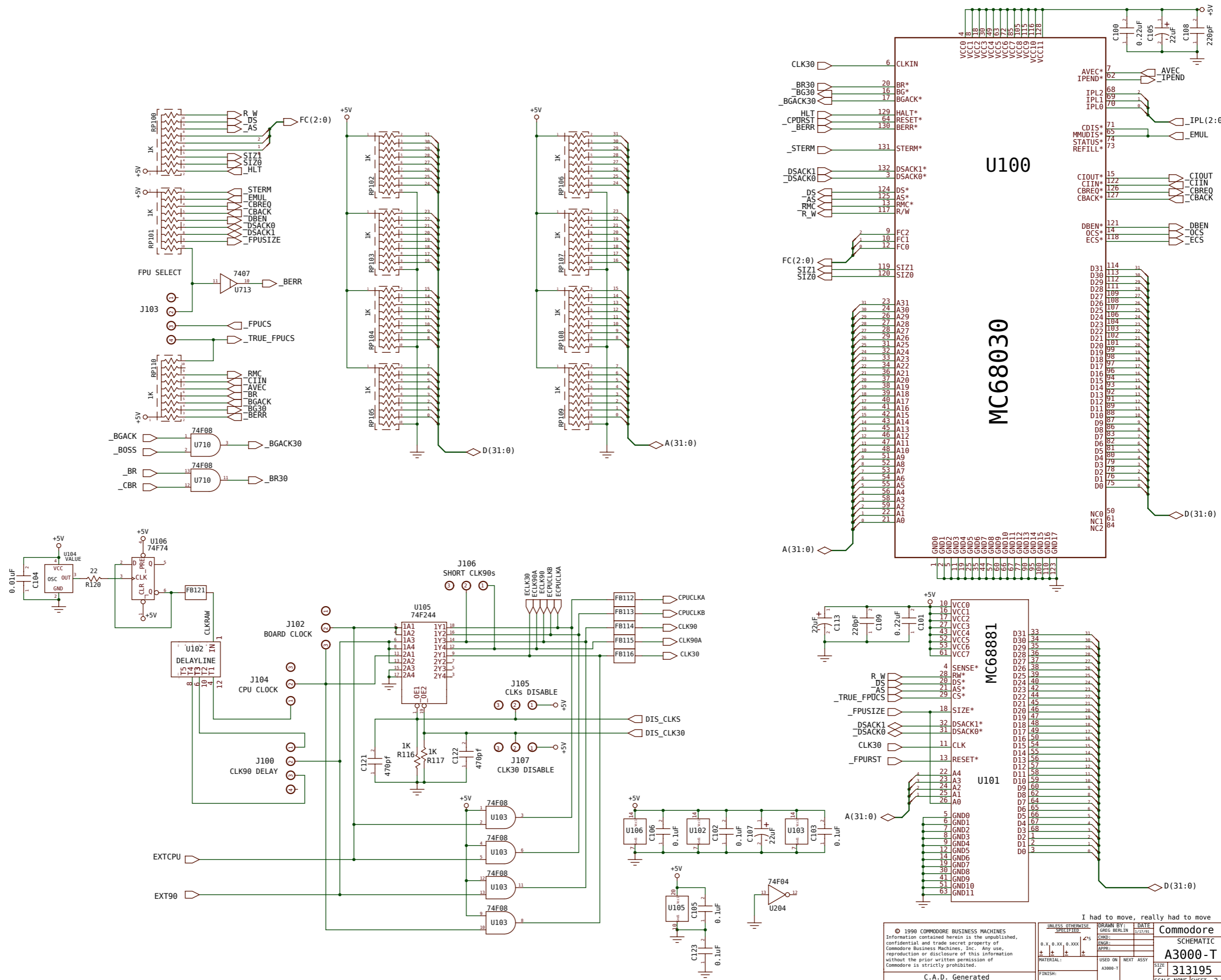
Amiga

A3000-T

Rev.1.38 (10.09.2012)



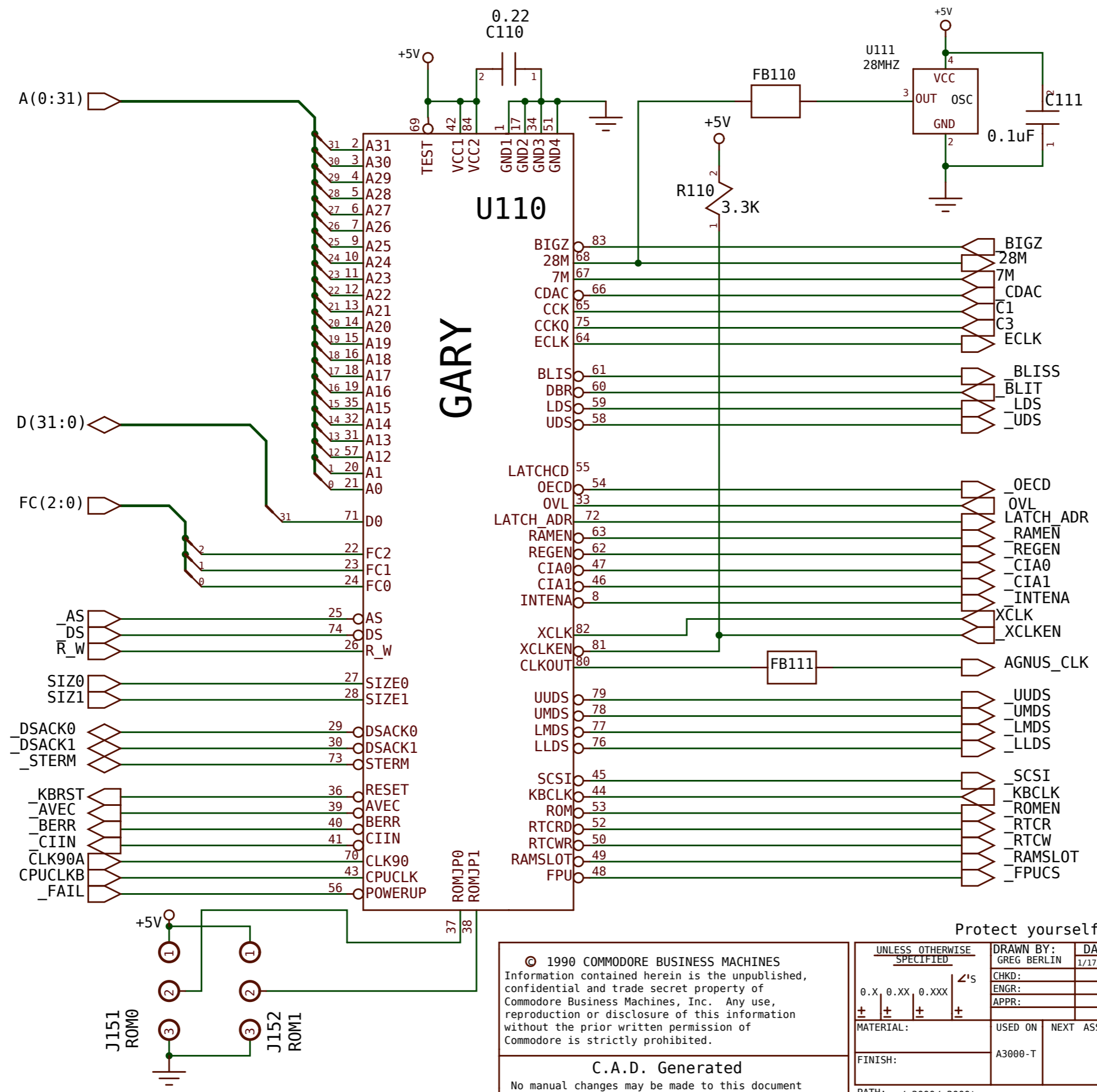
www.amigawiki.org



I had to move, really had to move

© 1990 COMMODORE BUSINESS MACHINES Information contained herein is the unpublished, confidential and trade secret property of Commodore Business Machines, Inc. Any use, reproduction or disclosure of this information without the prior written permission of Commodore is strictly prohibited.		DRAWN BY: GREG BERLIN DATE: 11/17/91	Commodore
C.A.D. Generated		UNLESS OTHERWISE SPECIFIED: 45	SCHEMATIC
No manual changes may be made to this document		SIZE: C 313195	A3000-T
PATH: -/a3000/a3000t.processor		SCALE: NONE	SHEET 3 OF 17

Rev. 1.18 119.00.28122



GARY

© 1990 COMMODORE BUSINESS MACHINES
 Information contained herein is the unpublished, confidential and trade secret property of Commodore Business Machines, Inc. Any use, reproduction or disclosure of this information without the prior written permission of Commodore is strictly prohibited.

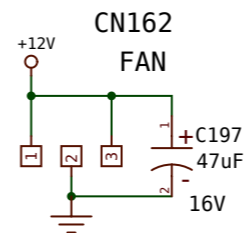
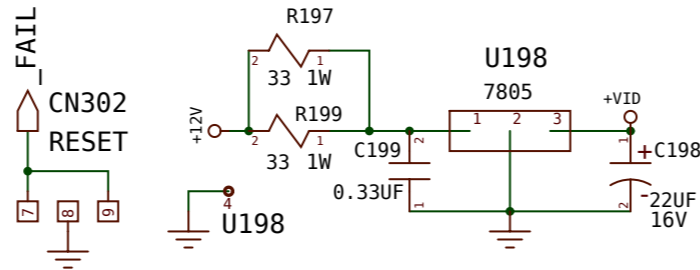
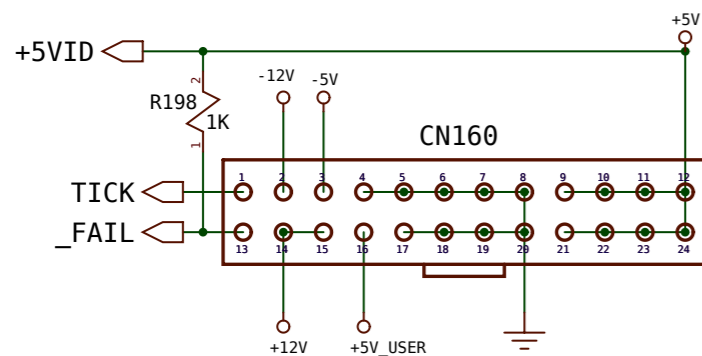
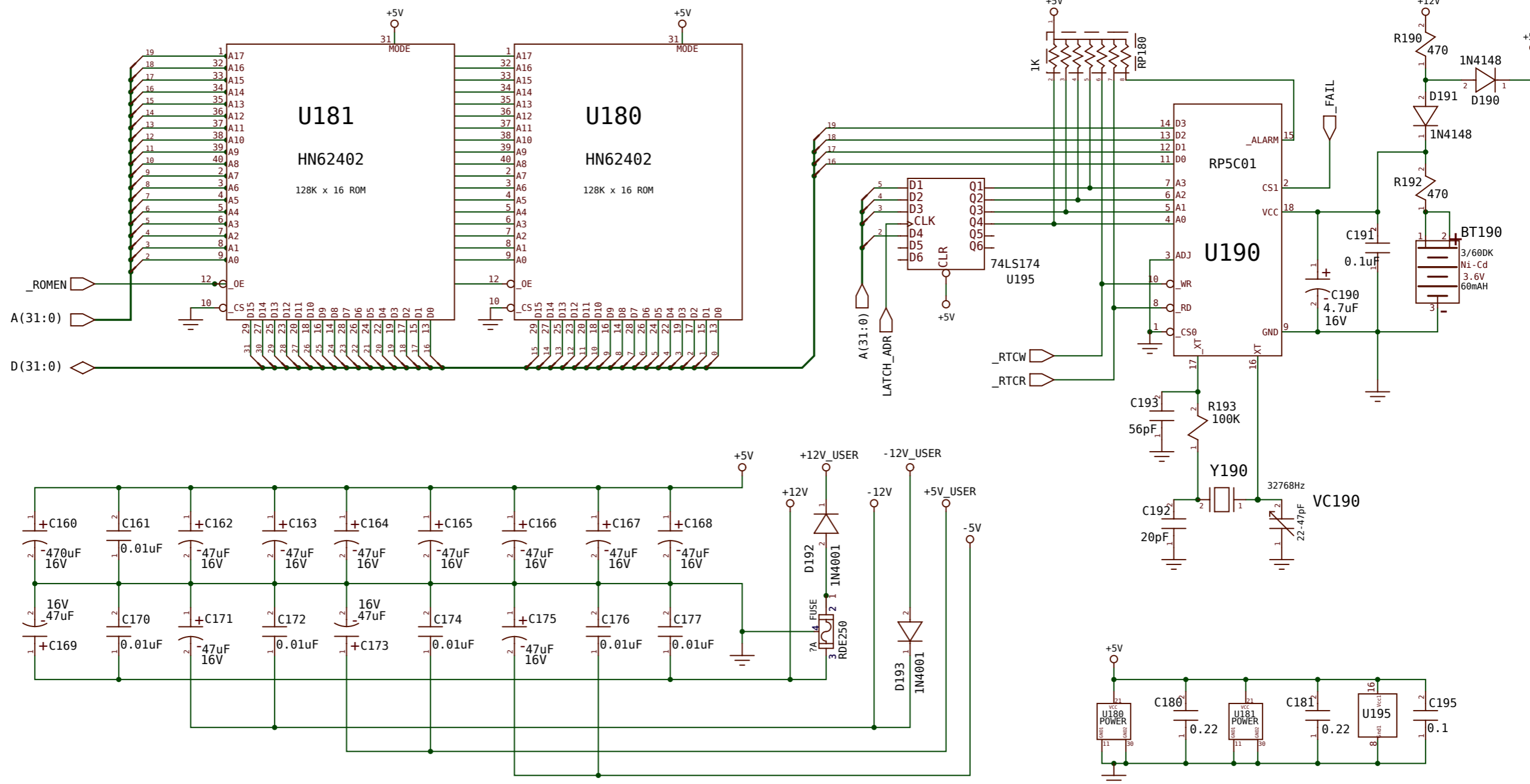
C.A.D. Generated
 No manual changes may be made to this document

UNLESS OTHERWISE SPECIFIED		DRAWN BY: GREG BERLIN	DATE: 1/17/91
0.X 0.XX 0.XXX		CHKD:	
± ± ± ±		ENGR:	
MATERIAL:		APPR:	
FINISH:		USED ON: A3000-T	NEXT ASSY:
PATH: ~/a3000/a3000t gary			

Protect yourself, MY NUTS!

Commodore		
SCHEMATIC		
A3000-T		
SIZE: C	313195	REV: A
SCALE: NONE	SHEET: 4 OF 17	

Rev.1.38 (10.09.2012)

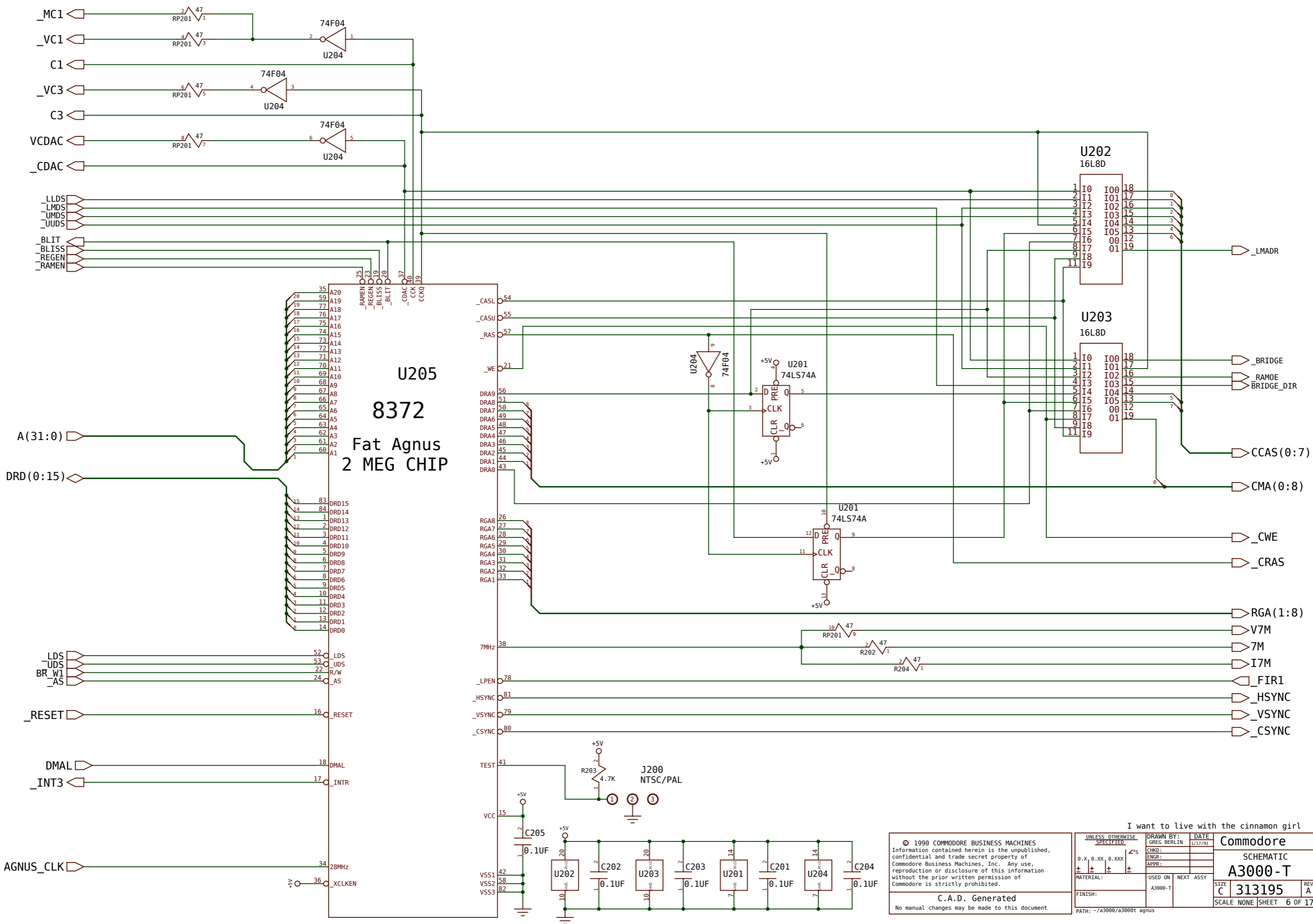


It's been such a long time, I think I should be going

© 1990 COMMODORE BUSINESS MACHINES
Information contained herein is the unpublished, confidential and trade secret property of Commodore Business Machines, Inc. Any use, reproduction or disclosure of this information without the prior written permission of Commodore is strictly prohibited.

C.A.D. Generated
No manual changes may be made to this document

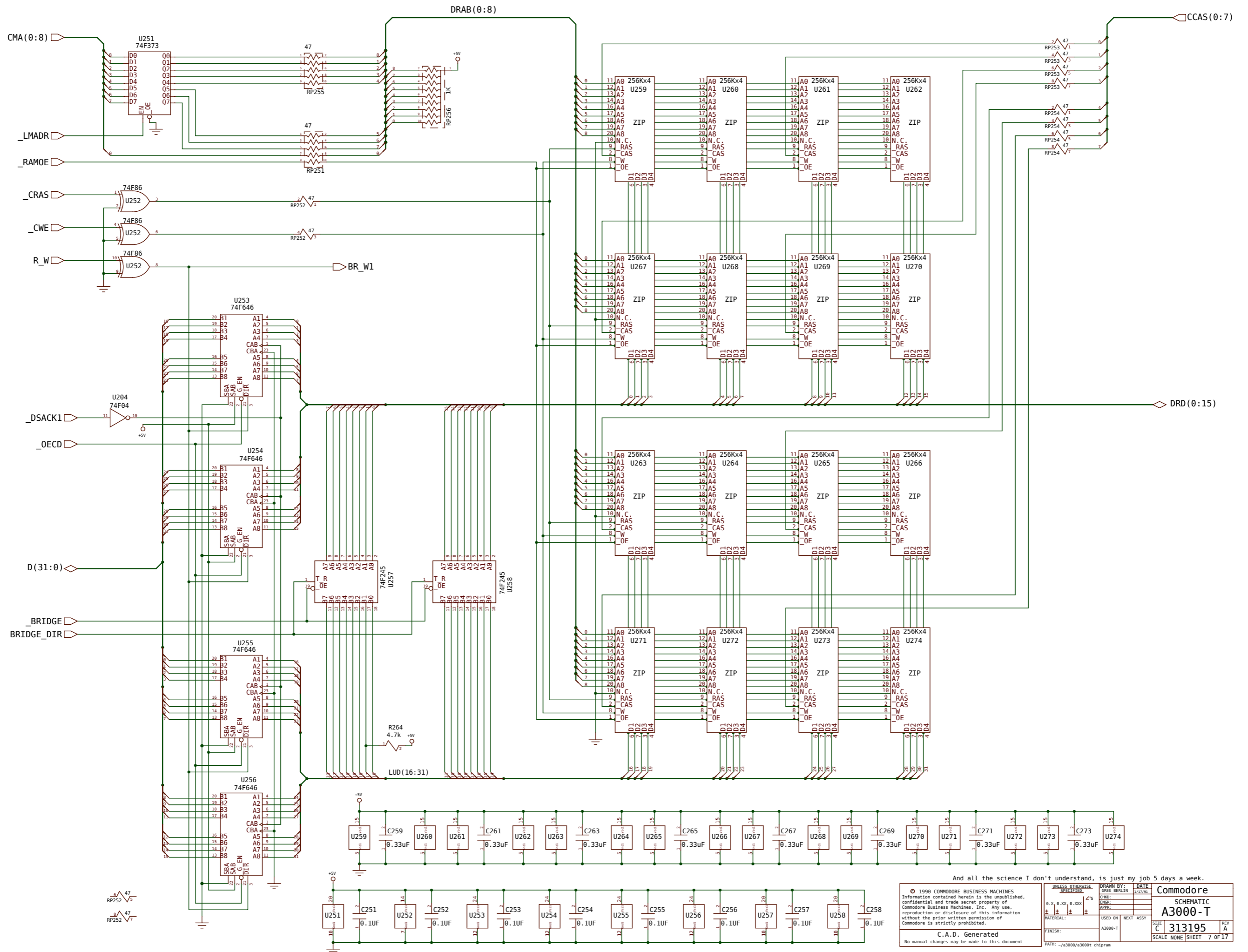
UNLESS OTHERWISE SPECIFIED	DRAWN BY: GREG BERLIN	DATE: 1/17/91	Commodore	
0.X, 0.XX, 0.XXX	CHKD:			SCHEMATIC A3000-T
± ± ± ±	ENGR:			
MATERIAL:	USED ON	NEXT ASSY	SIZE C	
FINISH:	A3000-T		313195	
PATH: -/a3000/a3000t rtc			SCALE NONE SHEET 5 OF 17	



© 1990 COMMODORE BUSINESS MACHINES
 Information contained herein is the unpublished, confidential and trade secret property of Commodore Business Machines, Inc. Any use, reproduction or disclosure of this information without the prior written permission of Commodore is strictly prohibited.
 C.A.D. Generated
 No manual changes may be made to this document

UNLESS OTHERWISE SPECIFIED:		DRAWN BY: GREG BERLIN	DATE 3/17/91
0.X, 0.XX, 0.XXX	1/16"	CHKD:	
±	±	ENGR:	
±	±	APPR:	
MATERIAL:		USED ON	NEXT ASSY
FINISH:		A3000-T	
PATH: ~/a3000/a3000t/agnus		I want to live with the cinnamon girl	
		Comodore	
		SCHEMATIC	
		A3000-T	
SIZE C	313195	REV A	
SCALE NONE		SHEET 6 OF 17	

Rev. 1.38 (10.09.2012)



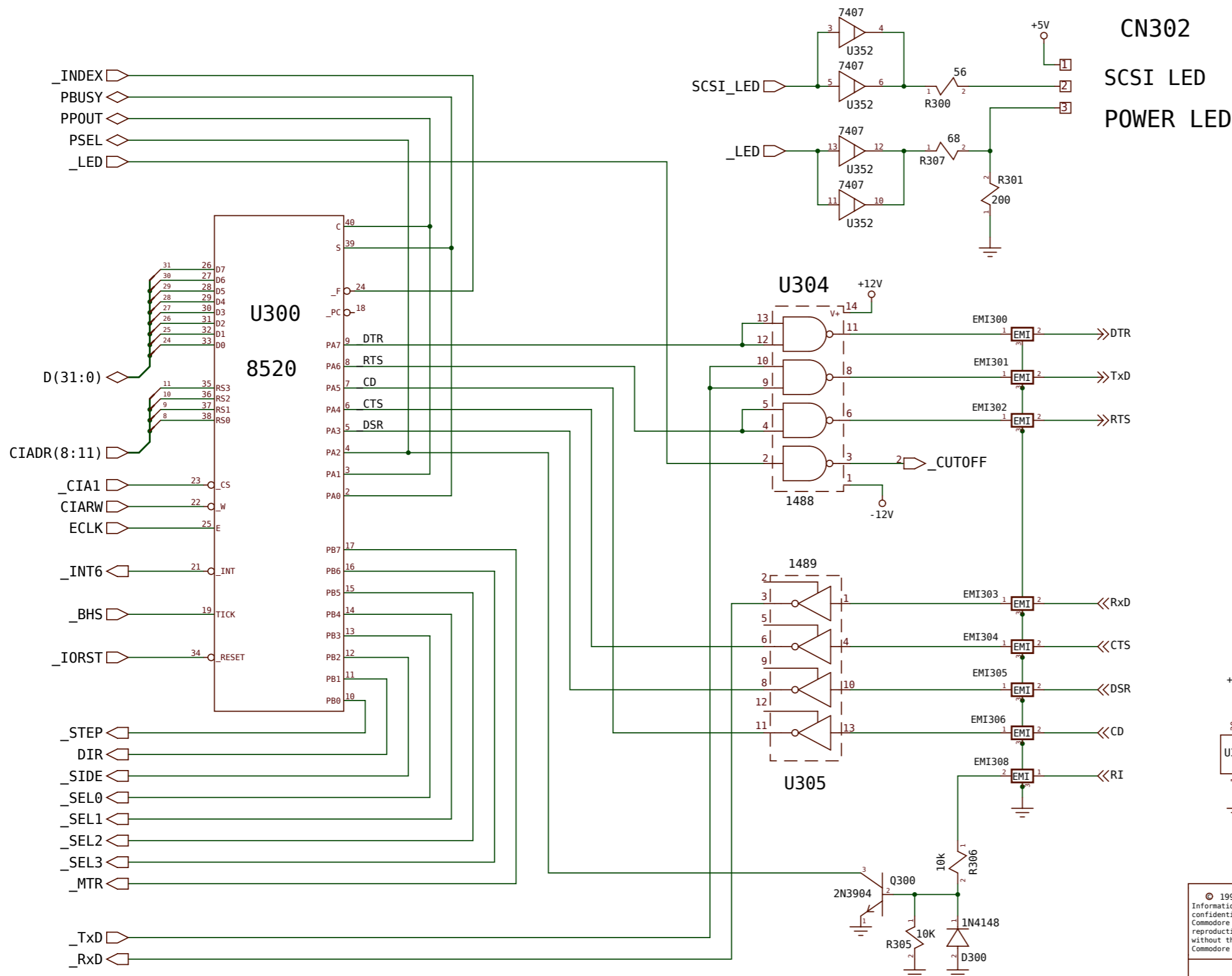
And all the science I don't understand, is just my job 5 days a week.

© 1990 COMMODORE BUSINESS MACHINES
 Information contained herein is the unpublished, confidential and trade secret property of Commodore Business Machines, Inc. Any use, reproduction or disclosure of this information without the prior written permission of Commodore is strictly prohibited.

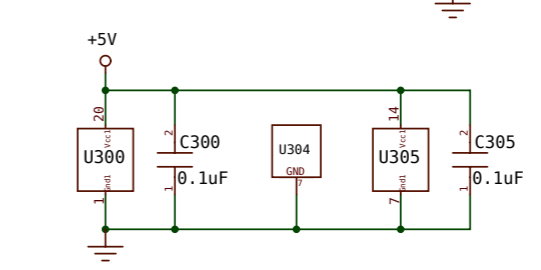
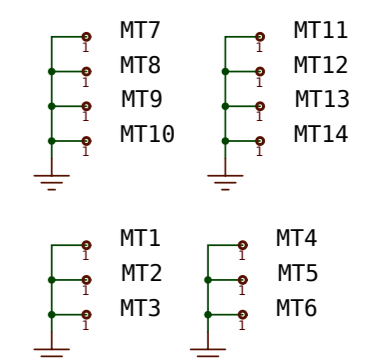
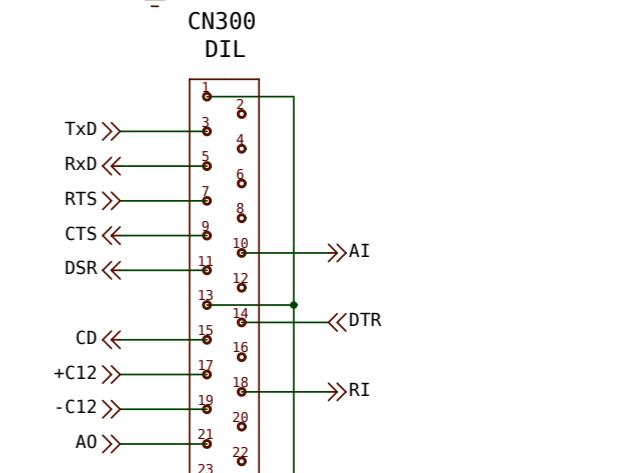
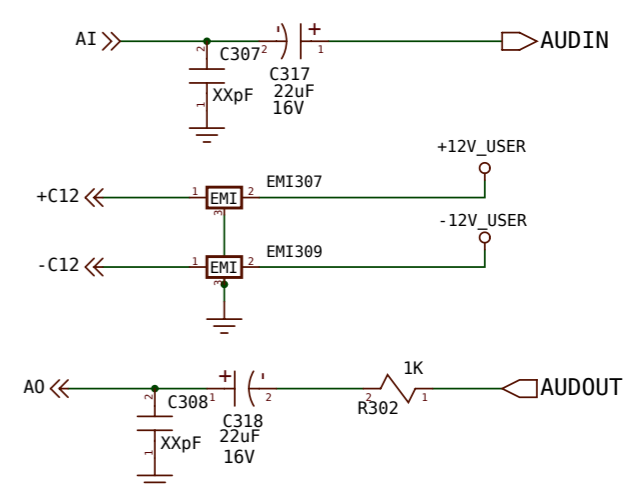
C.A.D. Generated
 No manual changes may be made to this document.

UNLESS OTHERWISE SPECIFIED:	DATE	1/17/90
DRWBY: GREG BERLIN	CHKD:	
ENGR:	APPR:	
MATERIAL:	USED ON	NEXT ASSY
A3000-T		
SCALE NONE	SHEET	7 OF 17

Commodore
 A3000-T
 313195
 A



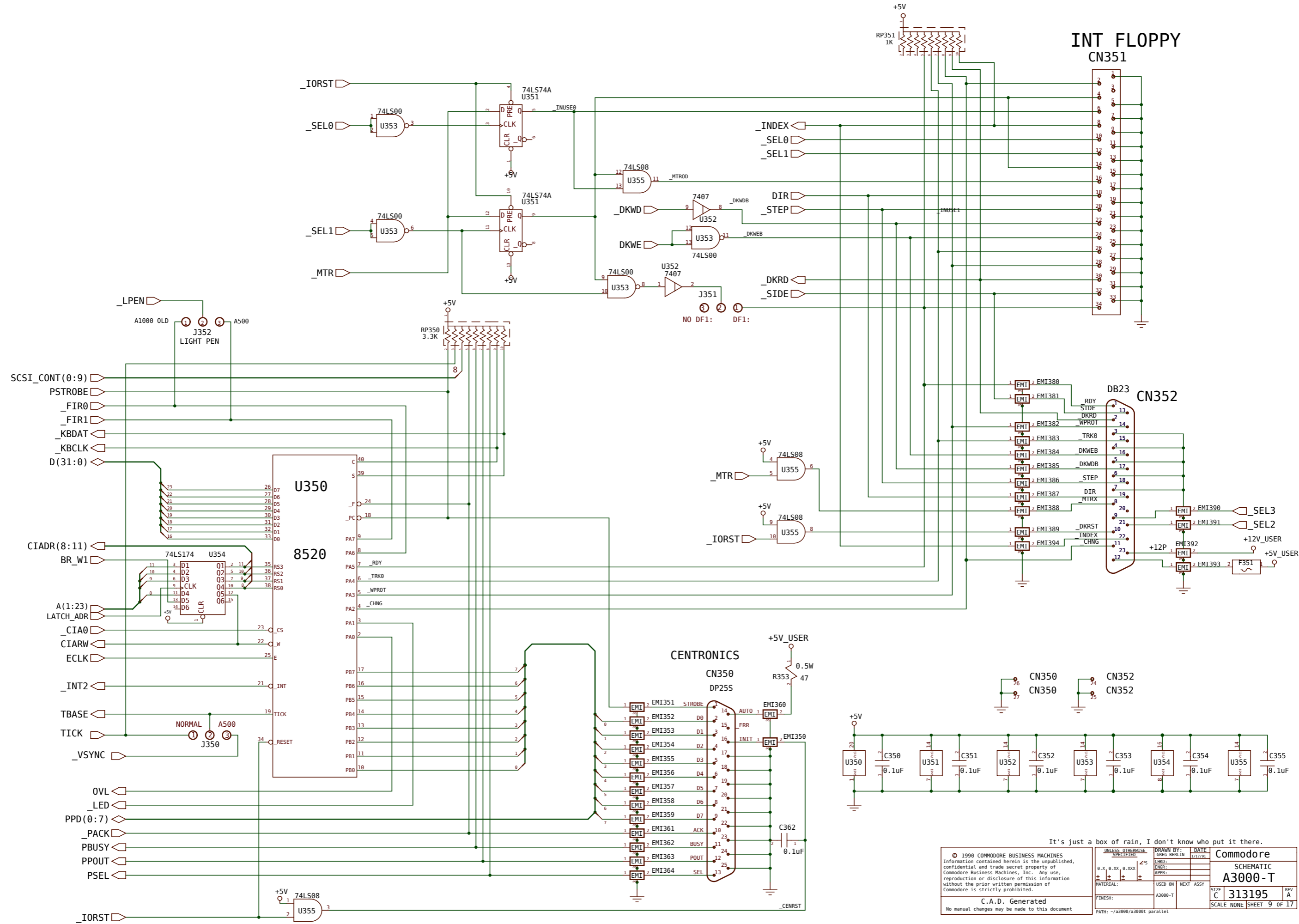
CN302
SCSI LED
POWER LED



I call that a bargain; the best I ever had

© 1990 COMMODORE BUSINESS MACHINES Information contained herein is the unpublished, confidential and trade secret property of Commodore Business Machines, Inc. Any use, reproduction or disclosure of this information without the prior written permission of Commodore is strictly prohibited.		UNLESS OTHERWISE SPECIFIED	DRAWN BY: GREG BERLIN	DATE: 3/17/91	Commodore SCHEMATIC A3000-T
0.X, 0.XX, 0.XXX	±	±	±	±	
C.A.D. Generated No manual changes may be made to this document		USED ON: A3000-T	NEXT ASSY:	SIZE: C	313195
PATH: -/a3000/a3000t serial		SCALE: NONE		SHEET 8 OF 17	

Rev. 1.38 (10-09-2012)

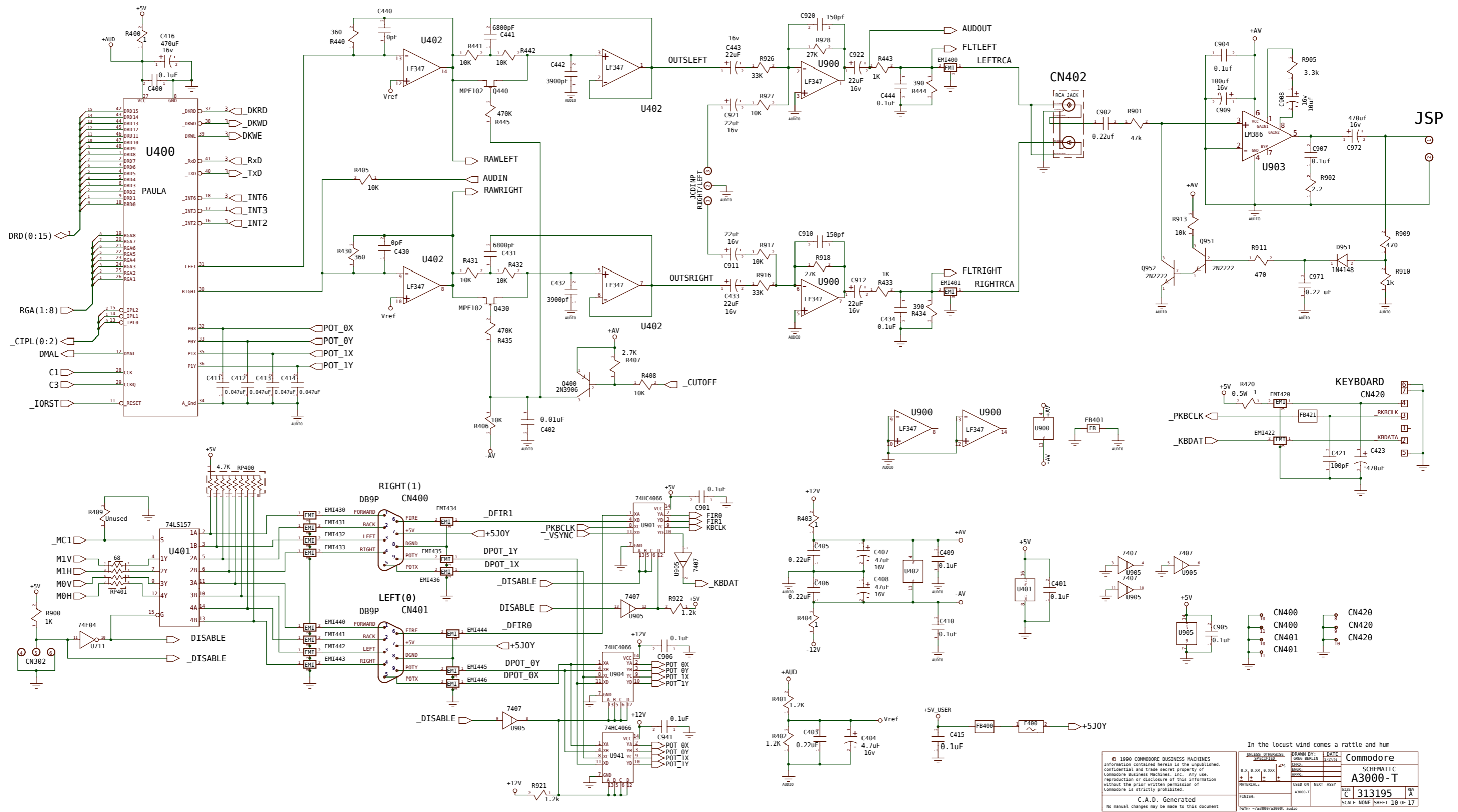


It's just a box of rain, I don't know who put it there.

© 1990 COMMODORE BUSINESS MACHINES Information contained herein is the unpublished, confidential and trade secret property of Commodore Business Machines, Inc. Any use, reproduction or disclosure of this information without the prior written permission of Commodore is strictly prohibited.		DRAWN BY: GREG BERLIN DATE: 1/17/91 CHECKED: [] ENGR: [] APPR: []	Commodore SCHEMATIC A3000-T
UNLESS OTHERWISE SPECIFIED: 0.X, 0.XX, 0.XXX 45 + + + + + MATERIAL: USED ON NEXT ASSY FINISH: A3000-T	SIZE C 313195 SCALE NONE SHEET 9 OF 17	REV A PATH: -/a3000/a3000t.parallel	

C.A.D. Generated
No manual changes may be made to this document

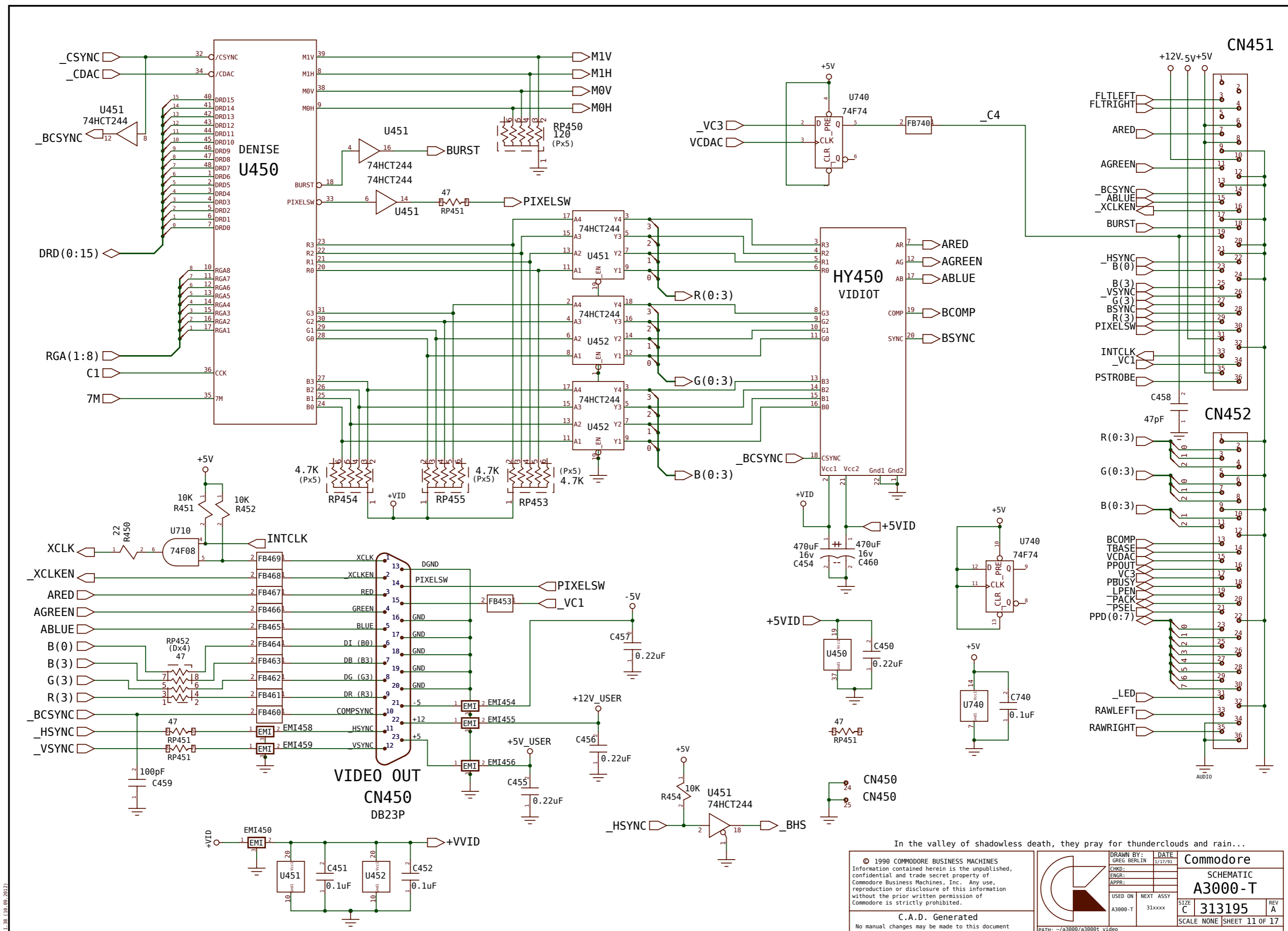
Rev. 1.18 (10-07-91)



In the locust wind comes a rattle and hum

© 1990 COMMODORE BUSINESS MACHINES Information contained herein is the unpublished, confidential and trade secret property of Commodore Business Machines, Inc. Any use, reproduction or disclosure of this information without the prior written permission of Commodore is strictly prohibited.		DRAWN BY: GREG HEHLIN DATE: 11/17/90 CHECKED BY: GREG HEHLIN DATE: 11/17/90 DESIGNED BY: GREG HEHLIN DATE: 11/17/90 MATERIAL: A3000-T USED ON: NEXT ASSY FINISH:	Commodore SCHEMATIC A3000-T SIZE C 313195 SCALE NONE SHEET 10 OF 17
---	--	--	--

C.A.D. Generated
No manual changes may be made to this document
PATH: -\A3000\A3000T audio



In the valley of shadowless death, they pray for thunderclouds and rain...

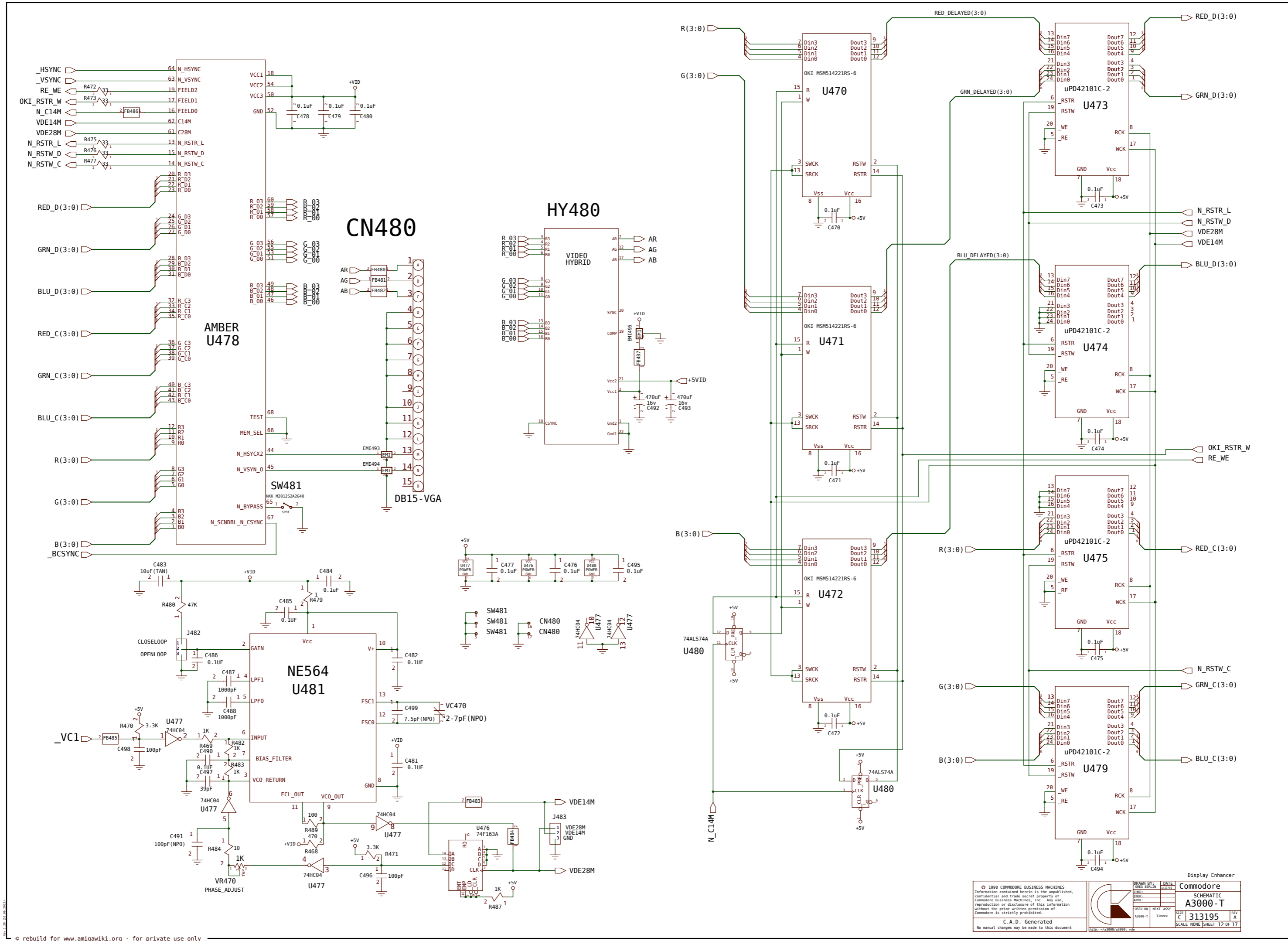
© 1990 COMMODORE BUSINESS MACHINES
 Information contained herein is the unpublished, confidential and trade secret property of Commodore Business Machines, Inc. Any use, reproduction or disclosure of this information without the prior written permission of Commodore is strictly prohibited.

C.A.D. Generated
 No manual changes may be made to this document

DRAWN BY: GREG BERLIN		DATE: 1/17/91	Commodore	
CHKD:			SCHEMATIC	
ENGR:			A3000-T	
APPR:			SIZE: C	REV: A
USED ON: A3000-T	NEXT ASSY: 31xxxx		SCALE: NONE	SHEET: 11 OF 17

PATH: -/a3000/a3000t video

Rev. 1.38 (10.09.2012)

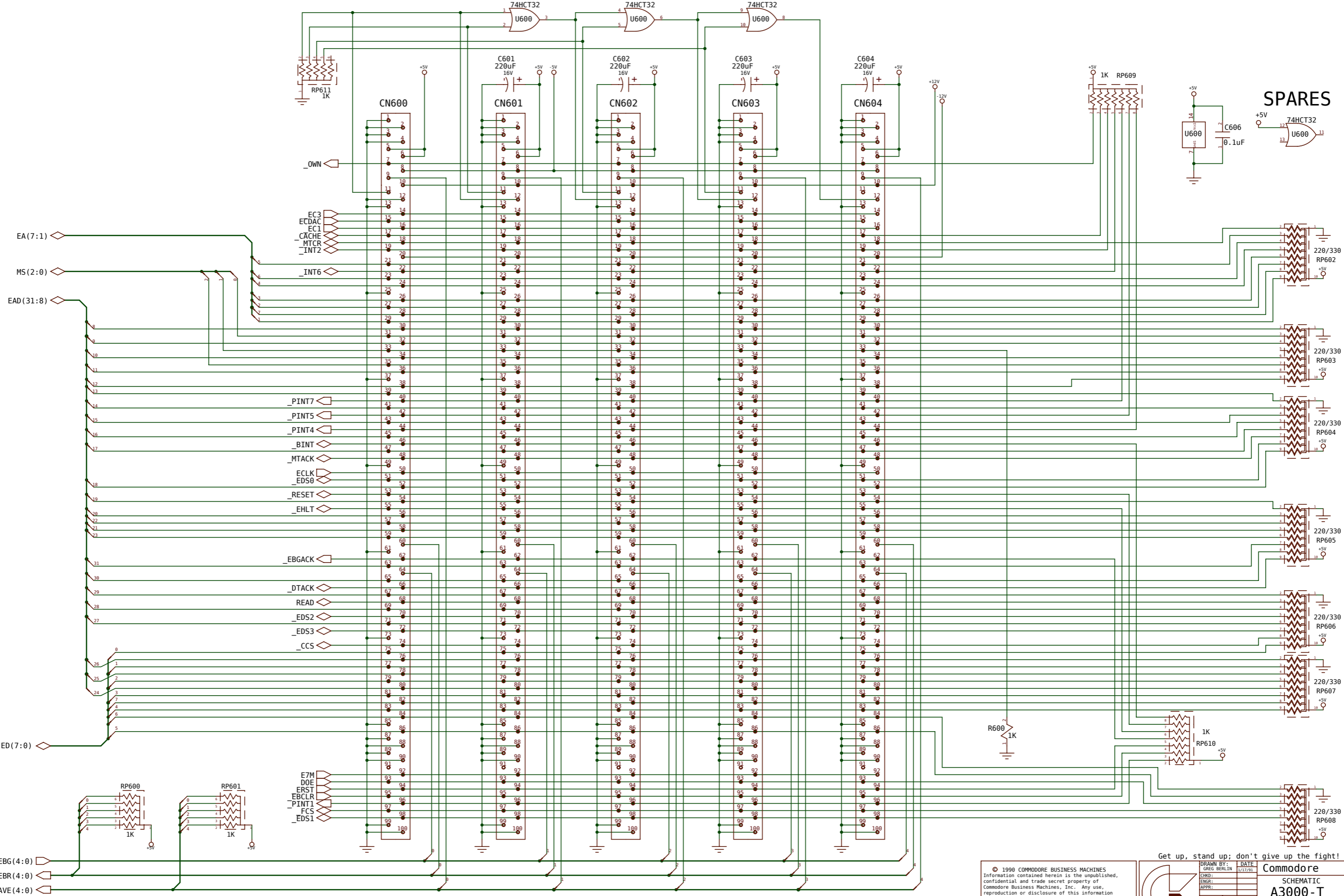


© 1990 COMMODORE BUSINESS MACHINES
 Information contained herein is the unpublished, confidential and trade secret property of Commodore Business Machines, Inc. Any use, reproduction or disclosure of this information without the prior written permission of Commodore is strictly prohibited.

C.A.D. Generated
 No manual changes may be made to this document

DRAWN BY: LERO BERLIN	DATE: 1/17/91
USED ON: A3000-1	NEXT ASSY: 31xxxx
SHEET: C	313195
SCALE: NONE	SHEET 12 OF 17

Commodore
 SCHEMATIC
 A3000-T



EA(7:1)

MS(2:0)

EAD(31:8)

ED(7:0)

EBG(4:0)

EBR(4:0)

SLAVE(4:0)

EC3

ECDAC

EC1

CACHE

MTCR

INT2

INT6

_PINT7

_PINT5

_PINT4

_BINT

_MTACK

ECLK

_EDS0

_RESET

_EHLT

_EBGACK

_DTACK

READ

_EDS2

_EDS3

_CCS

E7M

DOE

ERST

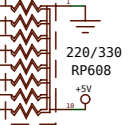
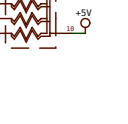
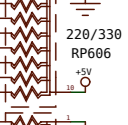
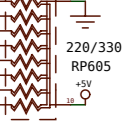
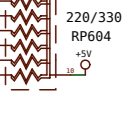
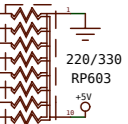
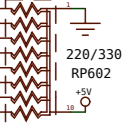
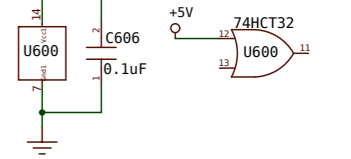
EBCLR

_PINT1

FCS

_EDS1

SPARES

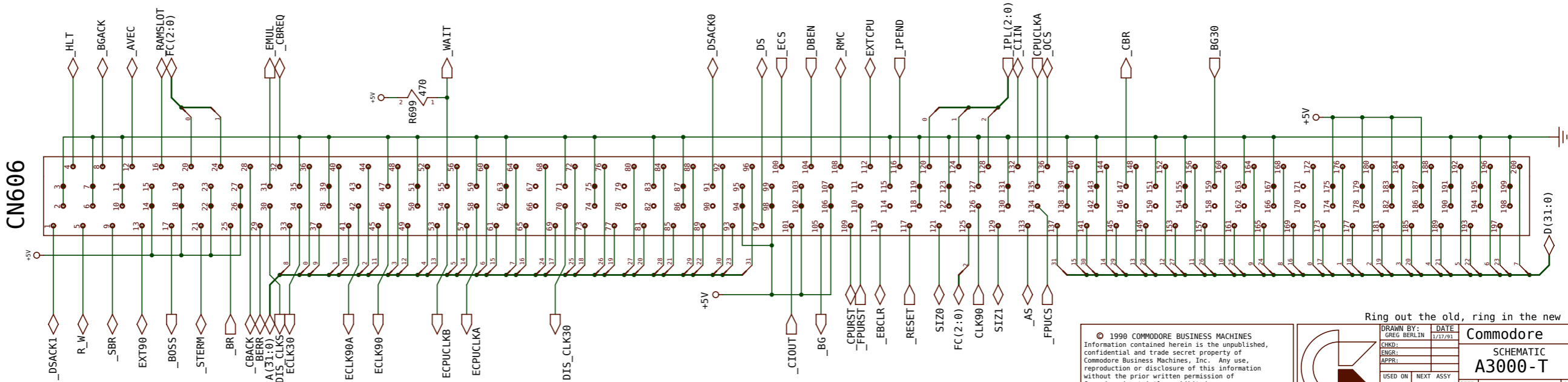


Get up, stand up; don't give up the fight!

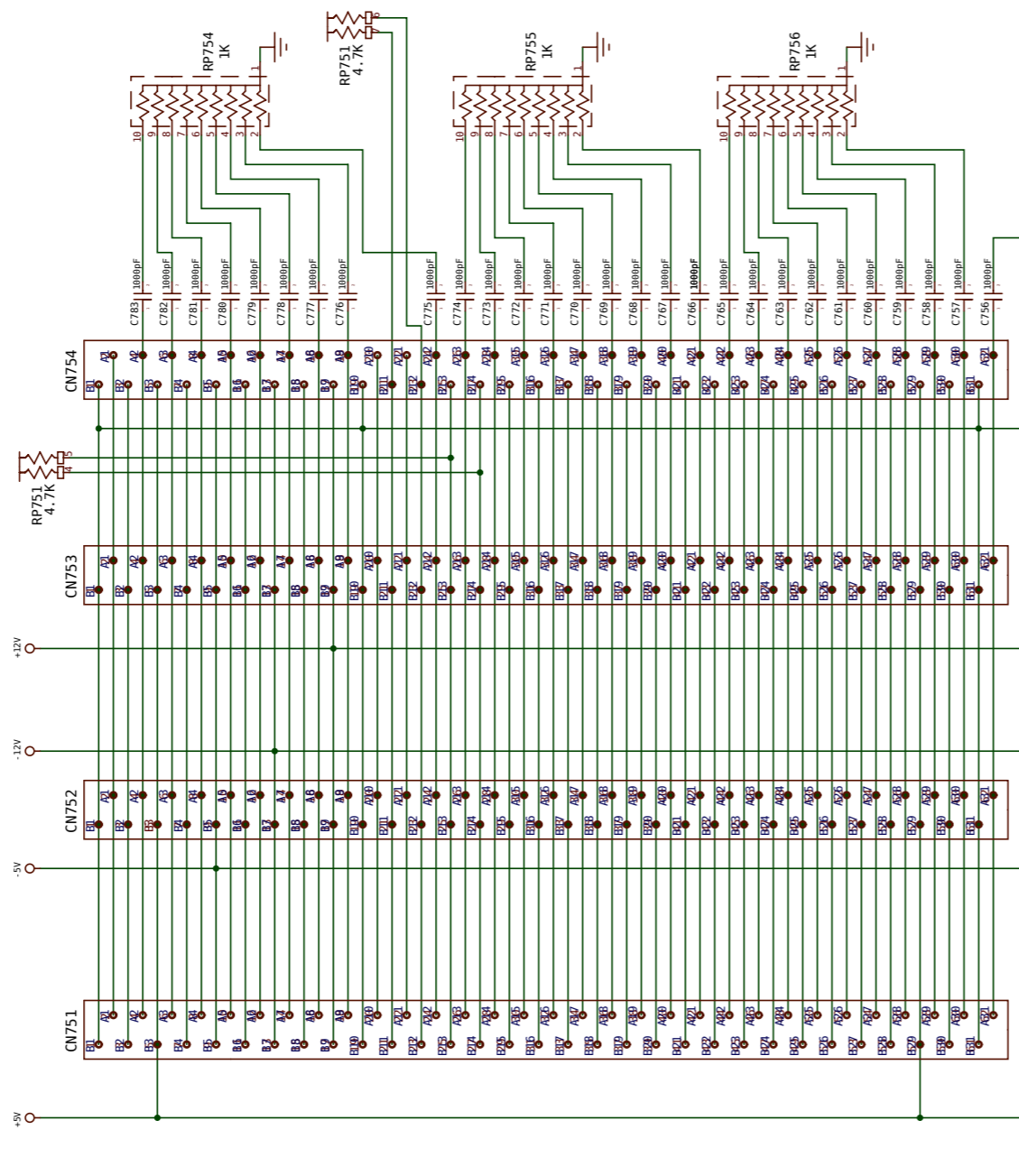
<p>© 1990 COMMODORE BUSINESS MACHINES Information contained herein is the unpublished, confidential and trade secret property of Commodore Business Machines, Inc. Any use, reproduction or disclosure of this information without the prior written permission of Commodore is strictly prohibited.</p> <p>C.A.D. Generated No manual changes may be made to this document</p>	<p>DRAWN BY: GREG BERLIN DATE: 2/17/91 CHKD: ENGR: APPR: USED ON: NEXT ASSY A3000-T</p>	<p>Commodore SCHEMATIC A3000-T REV A SCALE NONE SHEET 13 OF 17</p>
---	---	--

PATH: -/a3000/a3000t/amiga exp_bus

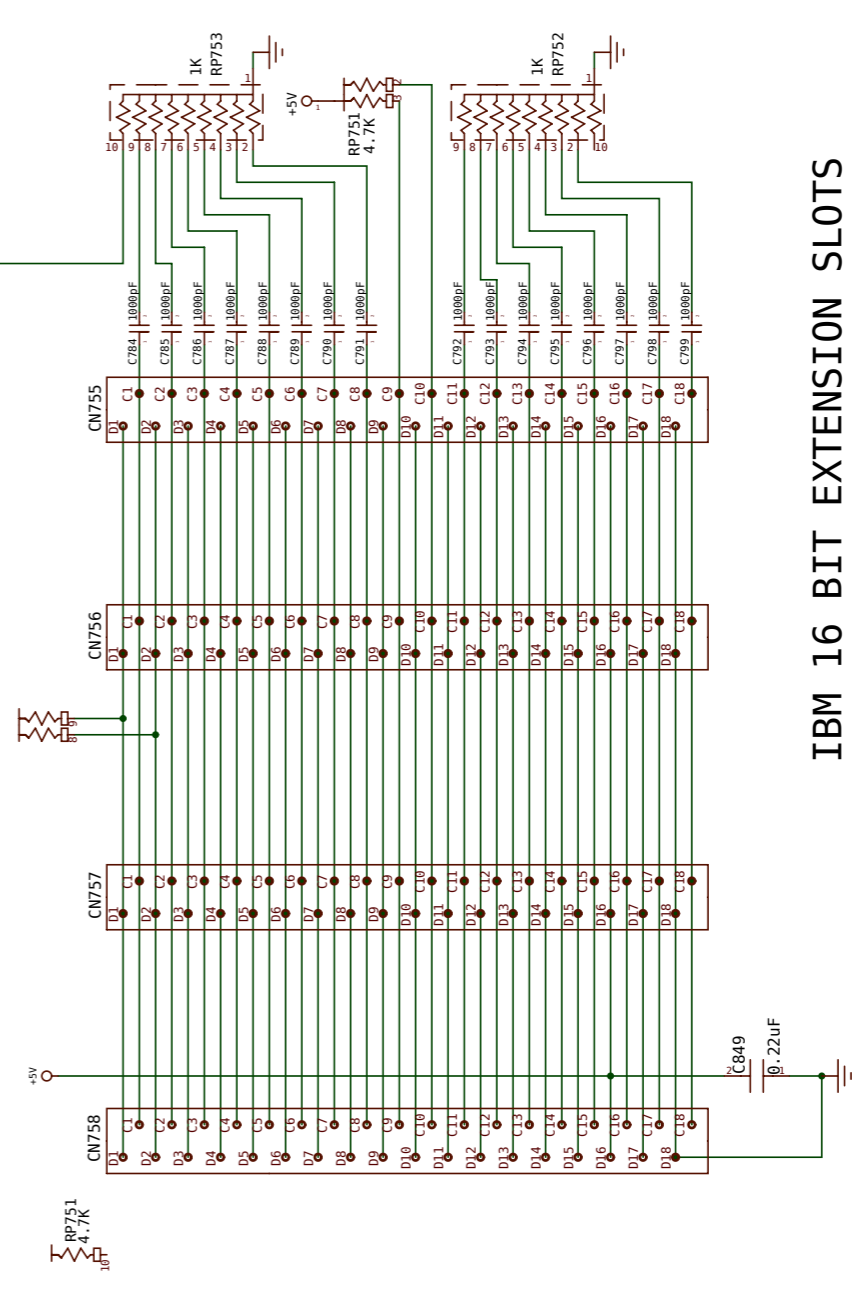
Amiga 32 BIT LOCAL SLOT



IBM 8 BIT SLOTS




IBM 16 BIT EXTENSION SLOTS



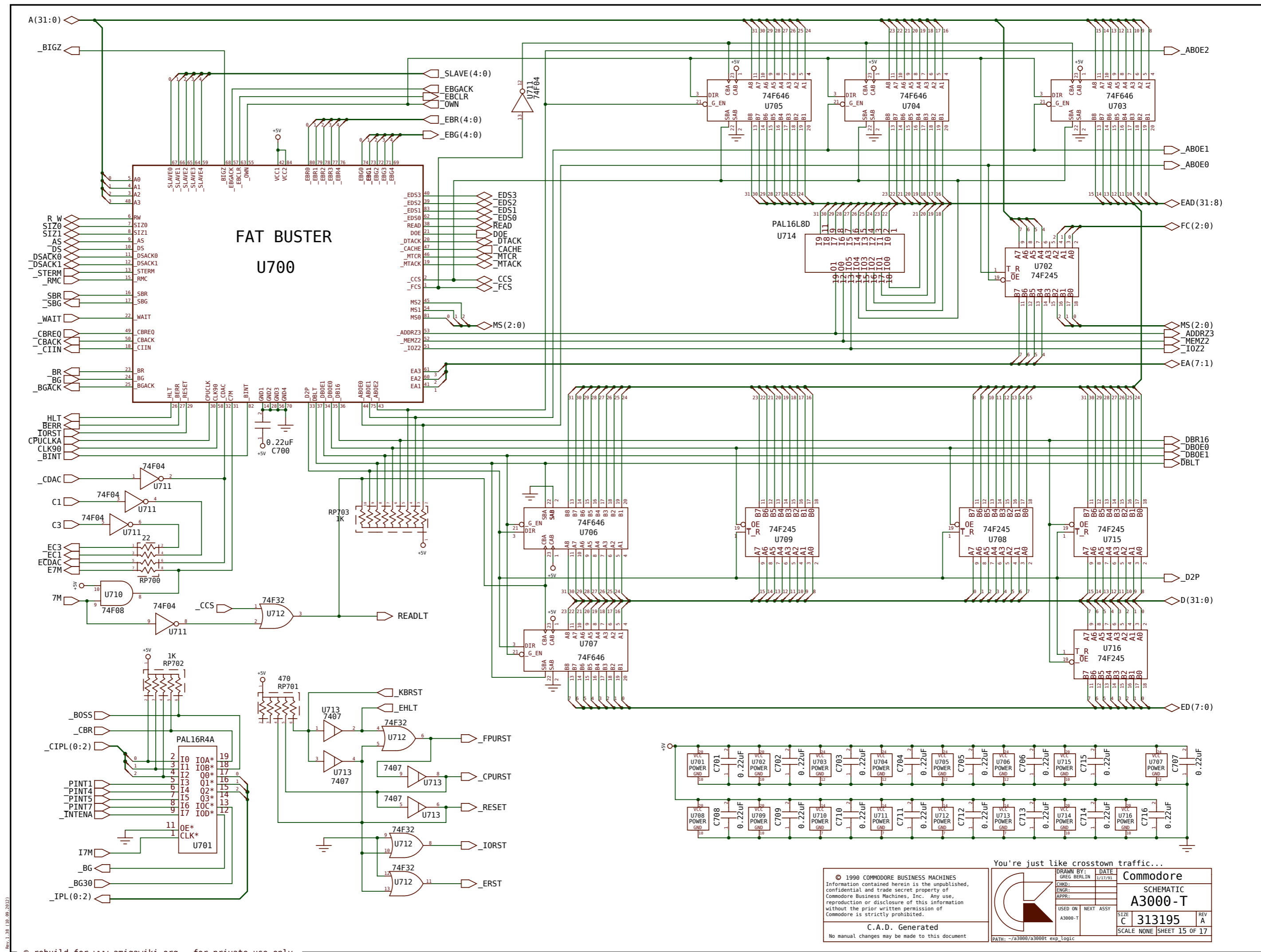
© 1990 COMMODORE BUSINESS MACHINES
 Information contained herein is the unpublished,
 confidential and trade secret property of
 Commodore Business Machines, Inc. Any use,
 reproduction or disclosure of this information
 without the prior written permission of
 Commodore is strictly prohibited.

C. A. D. Generated
 No manual changes may be made to this document

	DRAWN BY: GREG BERLIN	DATE: 1/31/93	Commodore SCHEMATIC A3000-T	
	CHKD: _____	ENGR: _____		APPR: _____
	USED ON: A3000-T	NEXT ASSY: _____		SCALE: NONE
SIZE: C		313195	REV: A	
SHEET: 14		OF 17		

Ring out the old, ring in the new

PATH: ~\a3000\3000t_exp_other

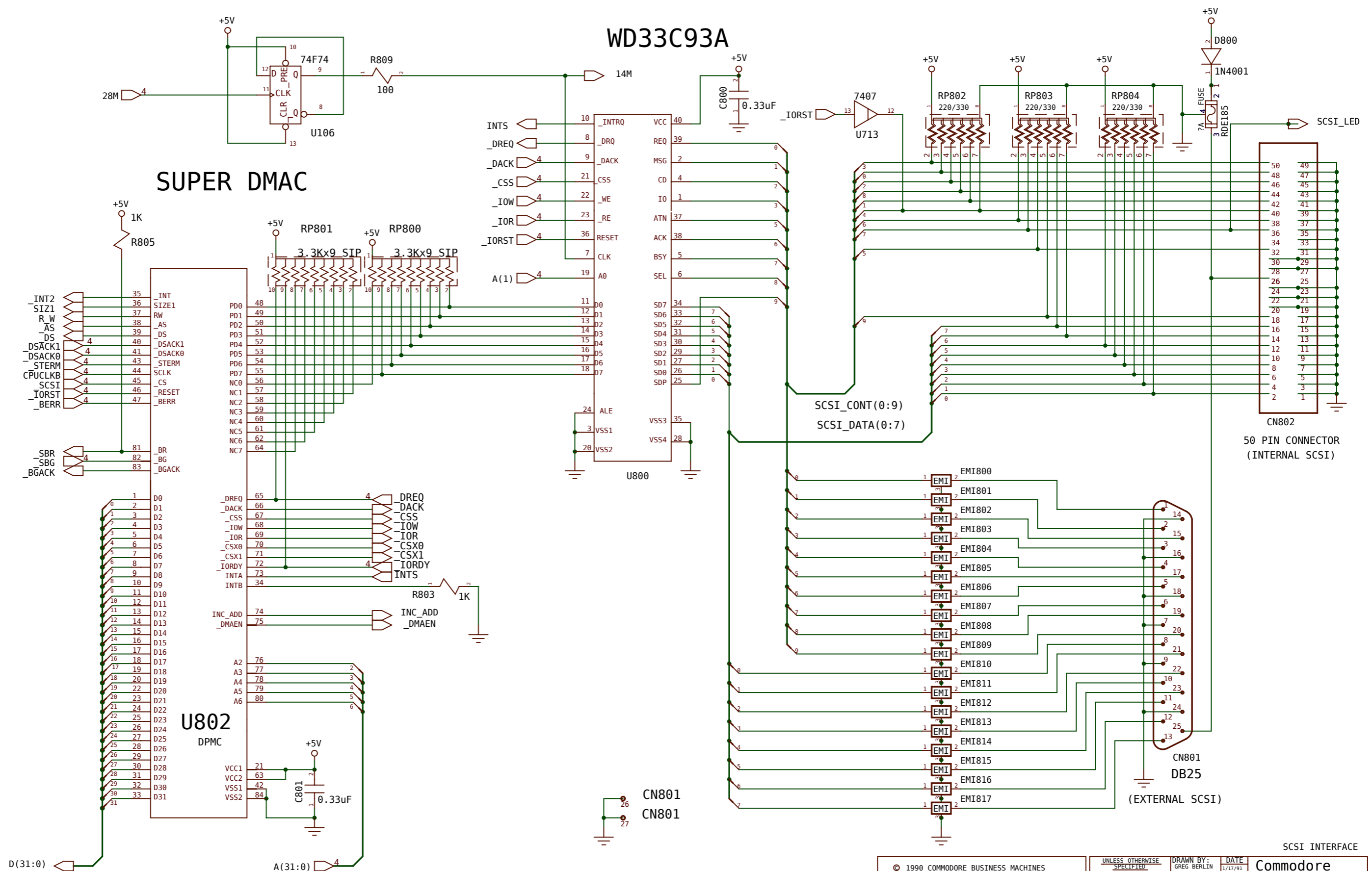


Rev.1.38 (10.09.2012)

You're just like crosstown traffic...

© 1990 COMMODORE BUSINESS MACHINES Information contained herein is the unpublished, confidential and trade secret property of Commodore Business Machines, Inc. Any use, reproduction or disclosure of this information without the prior written permission of Commodore is strictly prohibited.		DRAWN BY: GREG BERLIN DATE: 1/17/91 CHKD: ENGR: APPR:	Commodore SCHEMATIC A3000-T
C.A.D. Generated No manual changes may be made to this document	USED ON: A3000-T NEXT ASSY:	SIZE: C SCALE: NONE	REV: A SHEET 15 OF 17

PATH: ~/a3000/a3000t_exp_logic



Rev. 1.38 (10.09.2012)

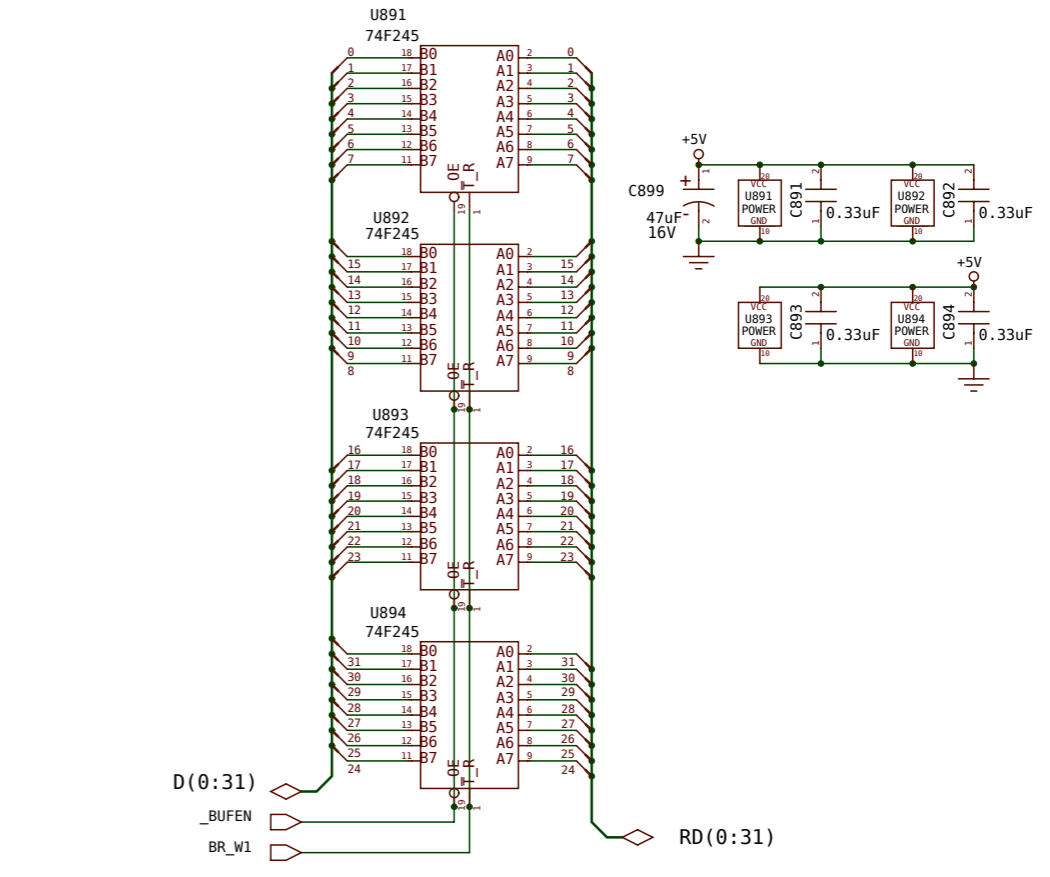
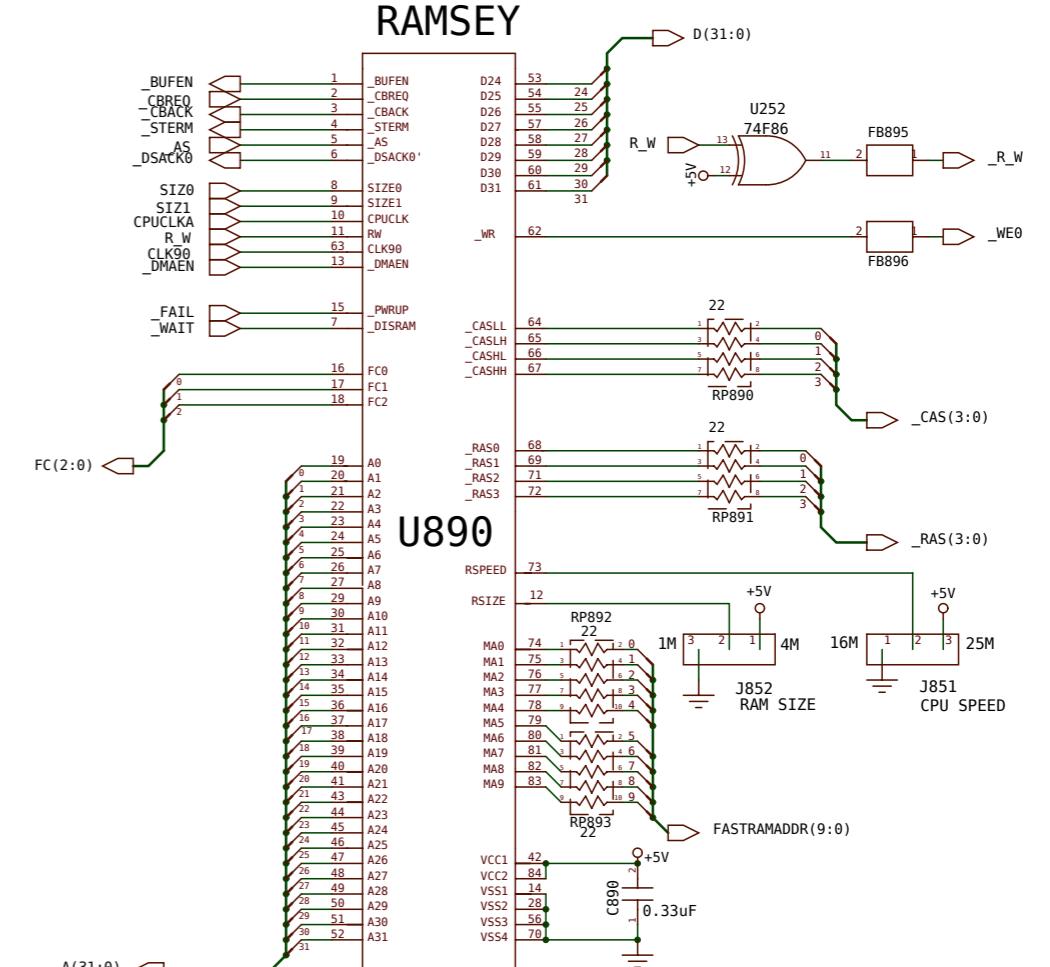
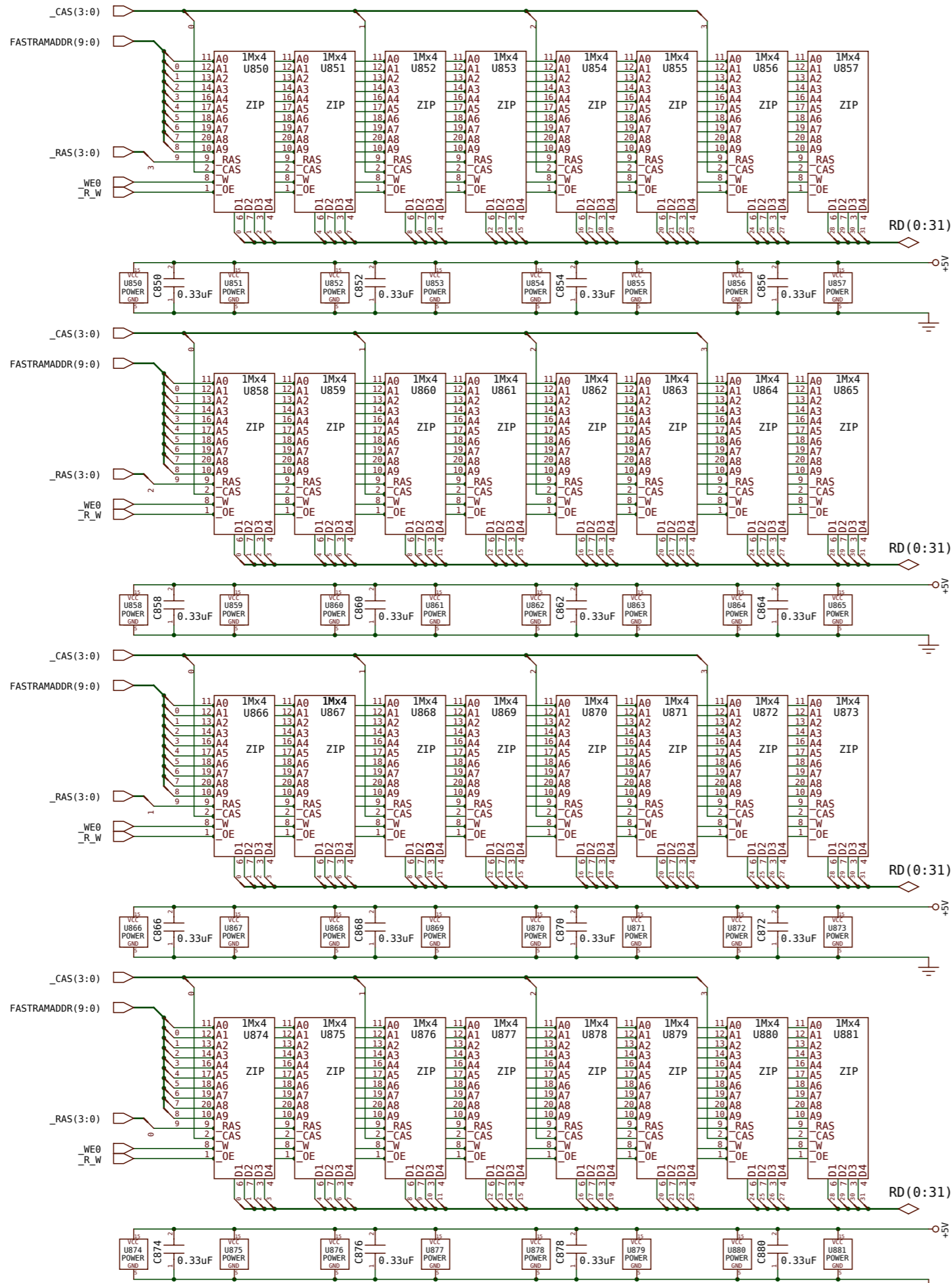
© 1990 COMMODORE BUSINESS MACHINES
 Information contained herein is the unpublished, confidential and trade secret property of Commodore Business Machines, Inc. Any use, reproduction or disclosure of this information without the prior written permission of Commodore is strictly prohibited.

C.A.D. Generated
 No manual changes may be made to this document

UNLESS OTHERWISE SPECIFIED		DRAWN BY: GREG BERLIN		DATE: 1/17/91	
0.X, 0.XX, 0.XXX	1/4"	CHKD:		Commodore	
± ± ± ±		ENGR:		SCHEMATIC	
		APPR:		A3000-T	
MATERIAL:		USED ON:	A3000-T	SIZE:	C
FINISH:		NEXT ASSY:		SCALE:	NONE
				PATH:	~/a3000/a3000t scsi

SCSI INTERFACE

Commodore
 A3000-T
 313195
 SHEET 16 OF 17



DRAM AND DMA ADDRESS MANAGEMENT CHIP		DRAWN BY: GREG BERLIN		DATE: 1/17/91	
© 1990 COMMODORE BUSINESS MACHINES		UNLESS OTHERWISE SPECIFIED:		Commodore	
Information contained herein is the unpublished, confidential and trade secret property of Commodore Business Machines, Inc. Any use, reproduction or disclosure of this information without the prior written permission of Commodore is strictly prohibited.		MATERIAL: A3000-T		SCHEMATIC	
C.A.D. Generated		FINISH: A3000-T		A3000-T	
No manual changes may be made to this document		PATH: ~/a3000/a3000t/ramram		SCALE NONE SHEET 17 OF 17	

Rev. 1.38 (18-09-2012)