

Amiga

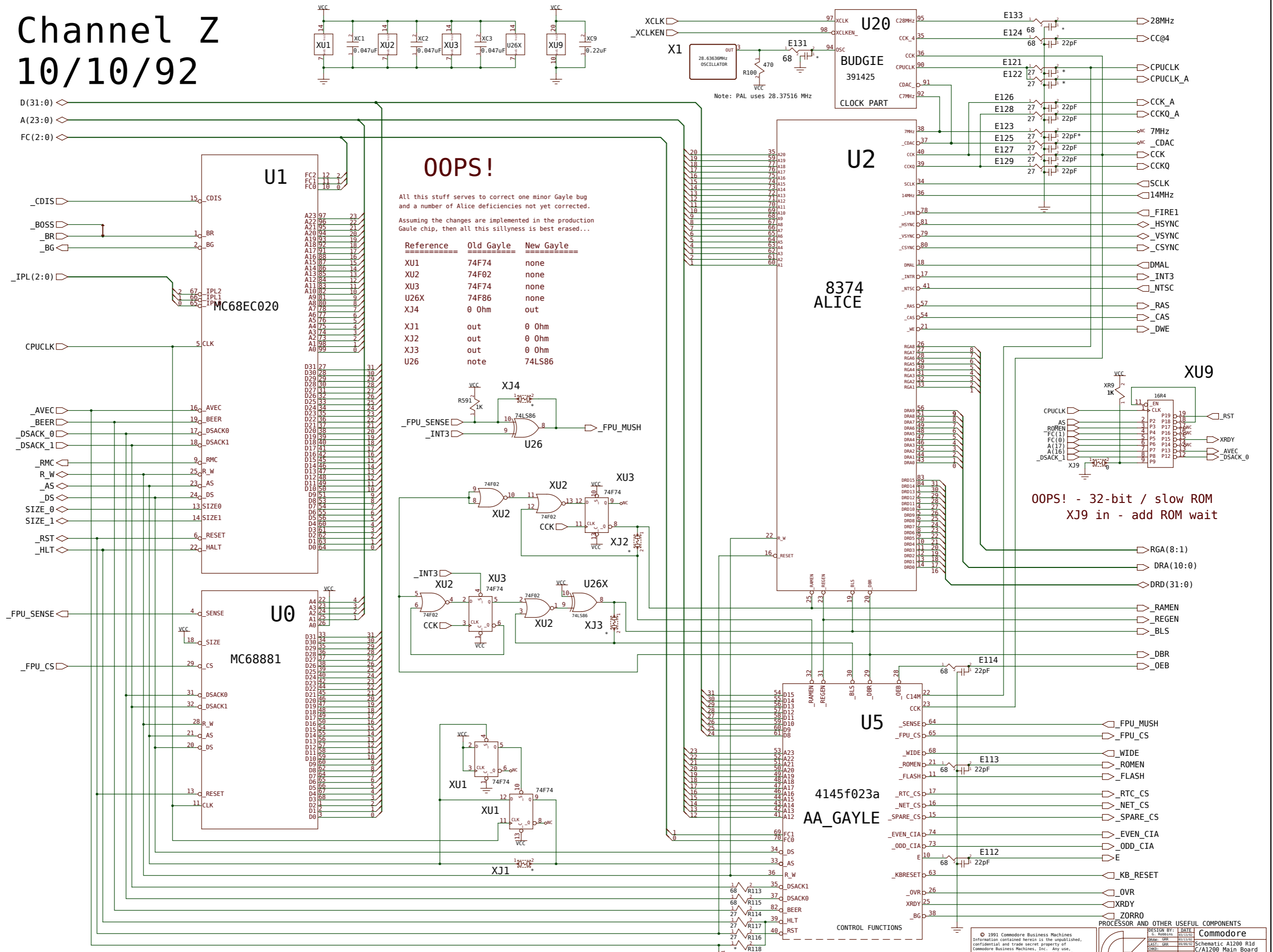
A1200_R1

Rev.1.38 (06.09.2012)



www.amigawiki.org

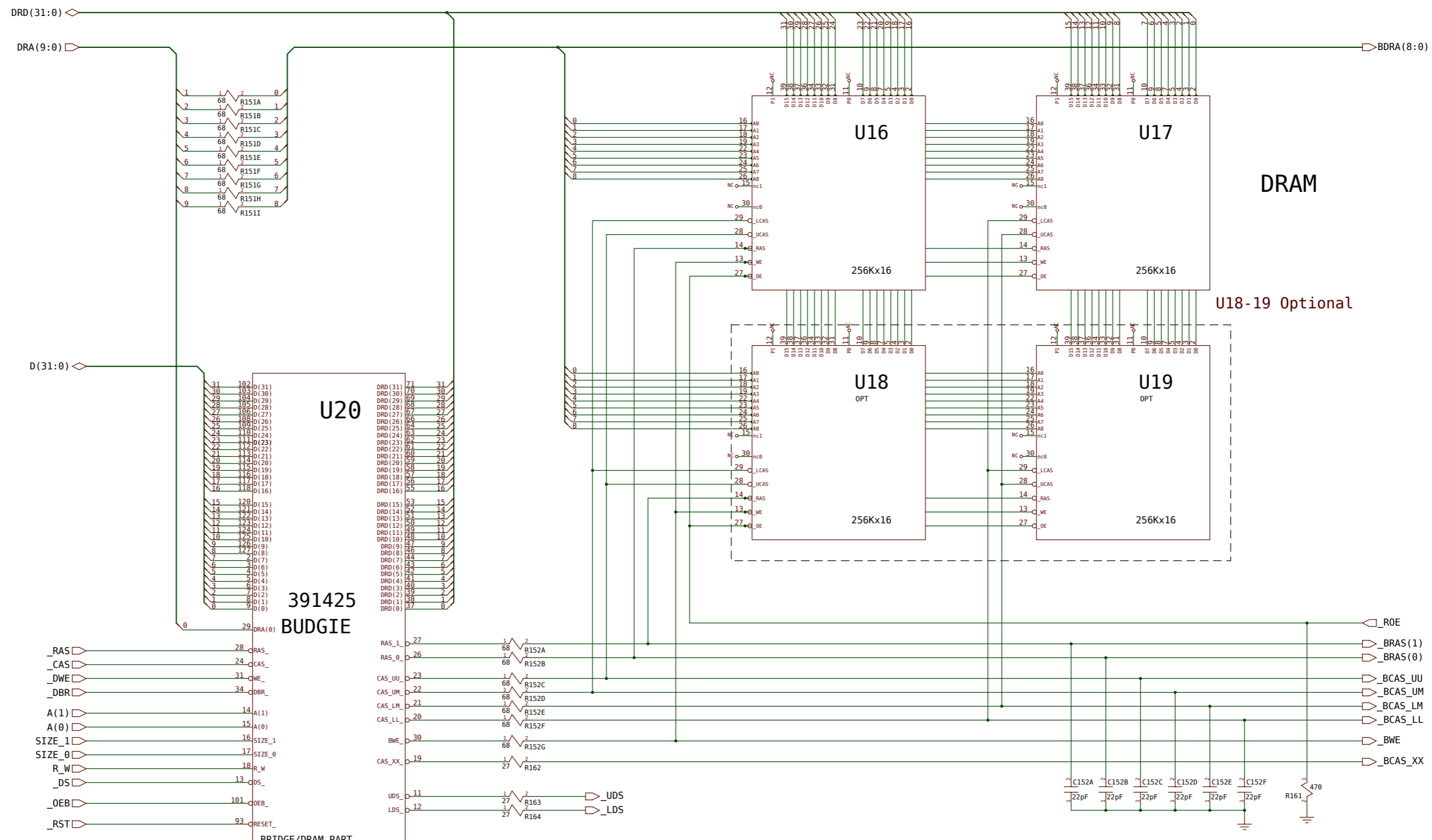
Channel Z 10/10/92



OOPS!

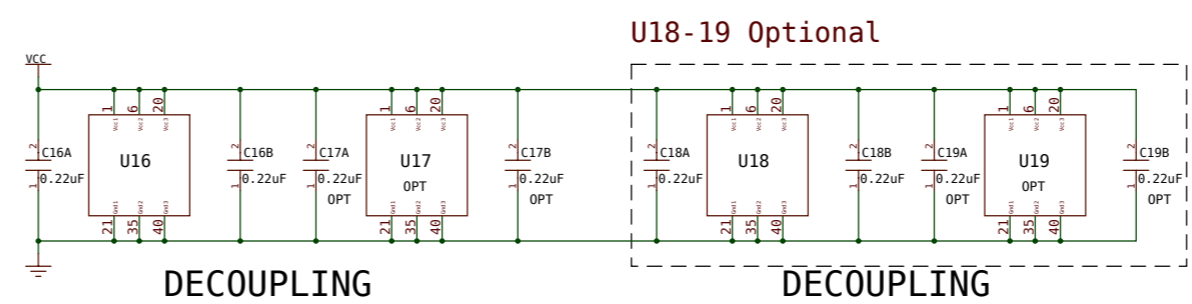
All this stuff serves to correct one minor Gayle bug and a number of Alice deficiencies not yet corrected. Assuming the changes are implemented in the production Gaule chip, then all this silliness is best erased...

OOPS! - 32-bit / slow ROM
XJ9 in - add ROM wait



A1200 Rev 1->1d PCB

© rebuild for www.amigawiki.org · for private use only



MEMORY AND... WELL, I USED TO REMEMBER

© 1991 Commodore Business Machines
 Information contained herein is the unpublished,
 confidential and trade secret property of
 Commodore Business Machines, Inc. Any use,
 reproduction or disclosure of this information
 without the prior written permission of
 Commodore is strictly prohibited.

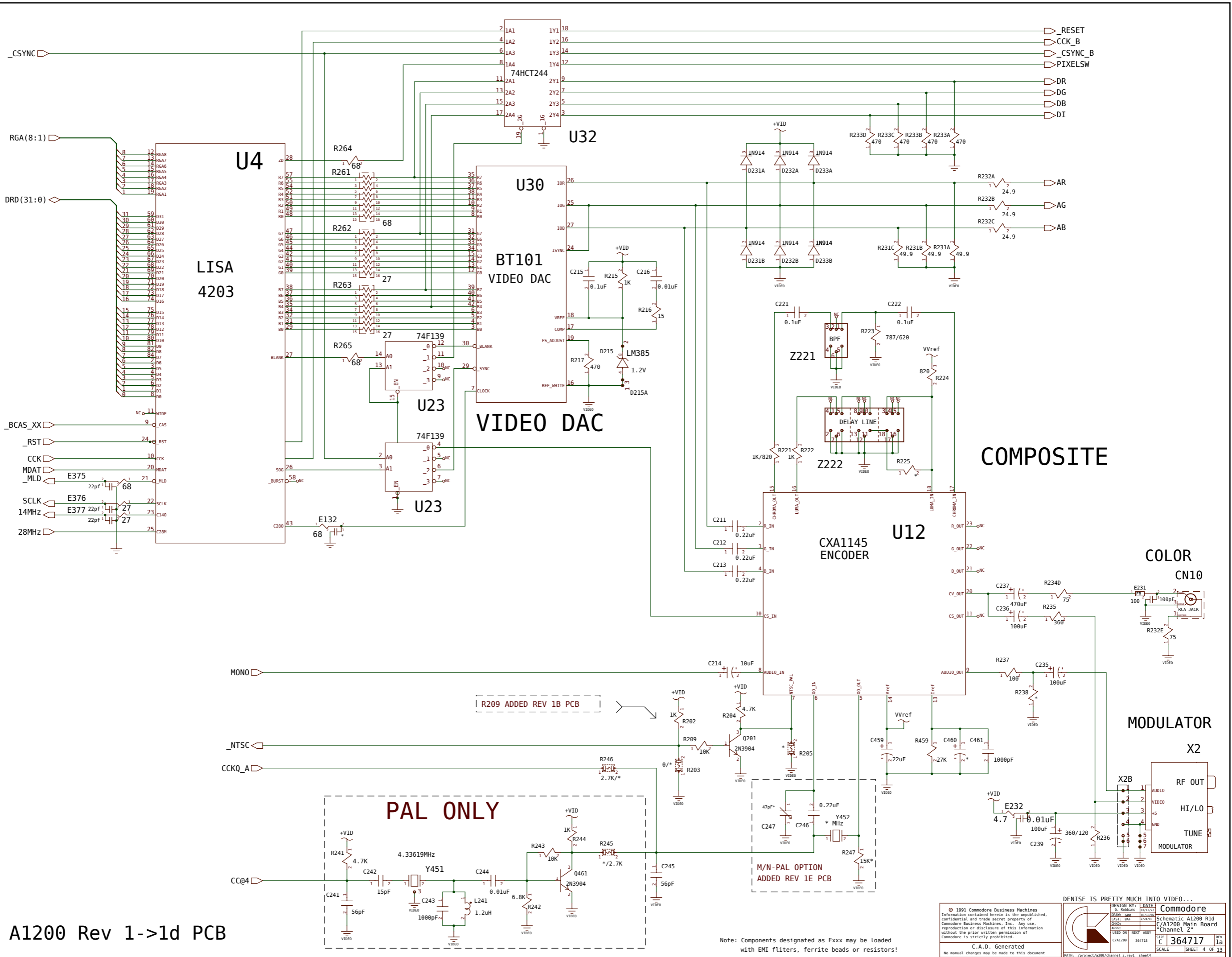
C.A.D. Generated
 No manual changes may be made to this document

DESIGN BY:	DATE:
G. Robbins	03/22/92
CHKD: GRS	03/22/92
LAST: GRS	03/22/92
APP: GRS	
USED ON:	NEXT ASSY:
C/A1200	315718

Commodore
 Schematic A1200 Rid
 C/A1200 Main Board
 "Channel Z"

SCALE: 1:1
 SHEET 3 OF 13

PATH: /projects/a300/channel_z.cad sheet3



A1200 Rev 1->1d PCB

rebuild for www.amigawiki.org · for private use only

© 1991 Commodore Business Machines
 Information contained herein is the unpublished,
 confidential and trade secret property of
 Commodore Business Machines, Inc. Any use,
 reproduction or disclosure of this information
 without the prior written permission of
 Commodore is strictly prohibited.

DESIGN BY: G. Robbins
 DATE: 03/21/92
 DRAWN: GOR
 CHECKED: JRM
 APPR: JRM
 US100 001 NEXT ASSY: C/A1200
 C/A1200 364718

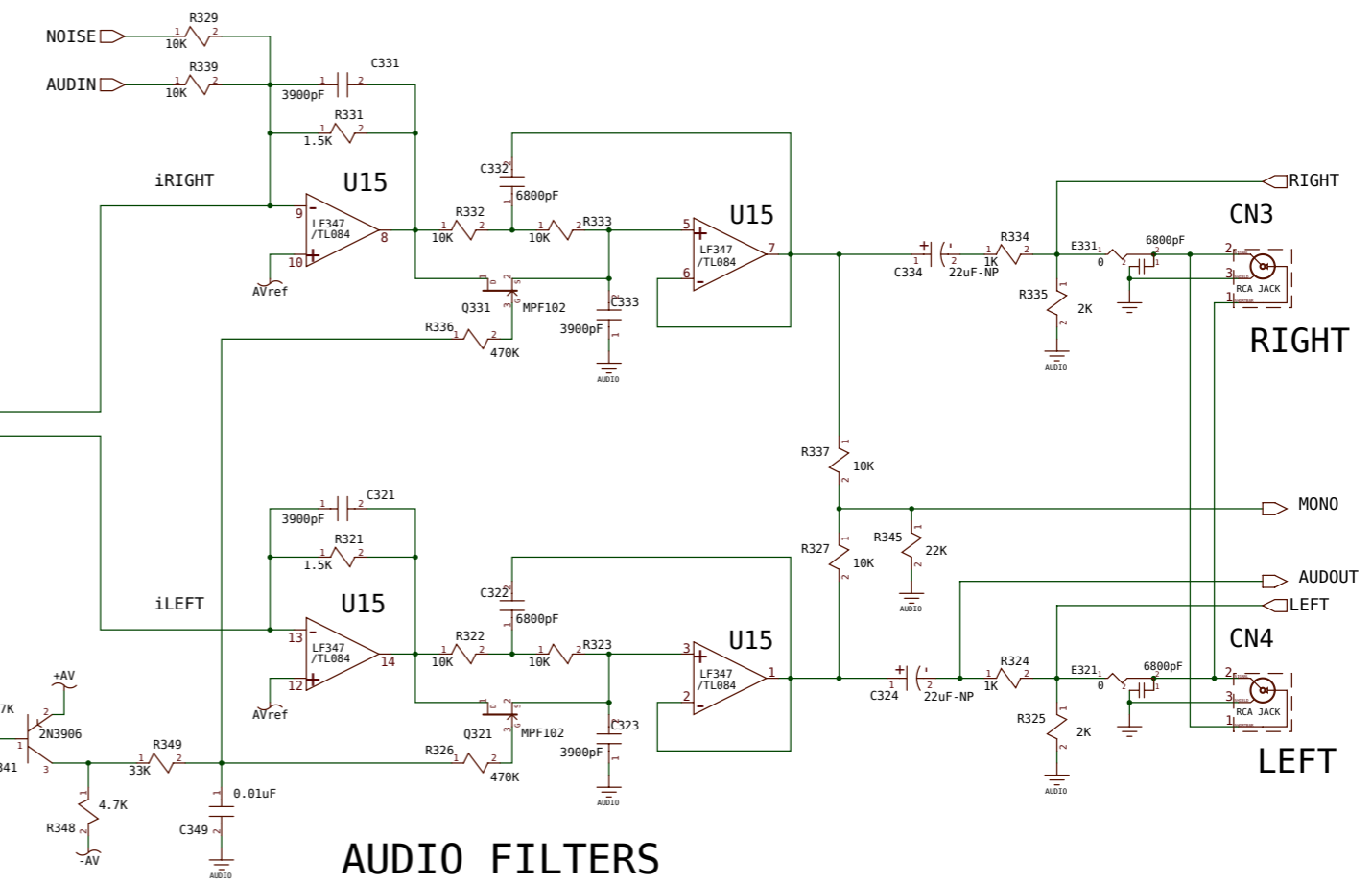
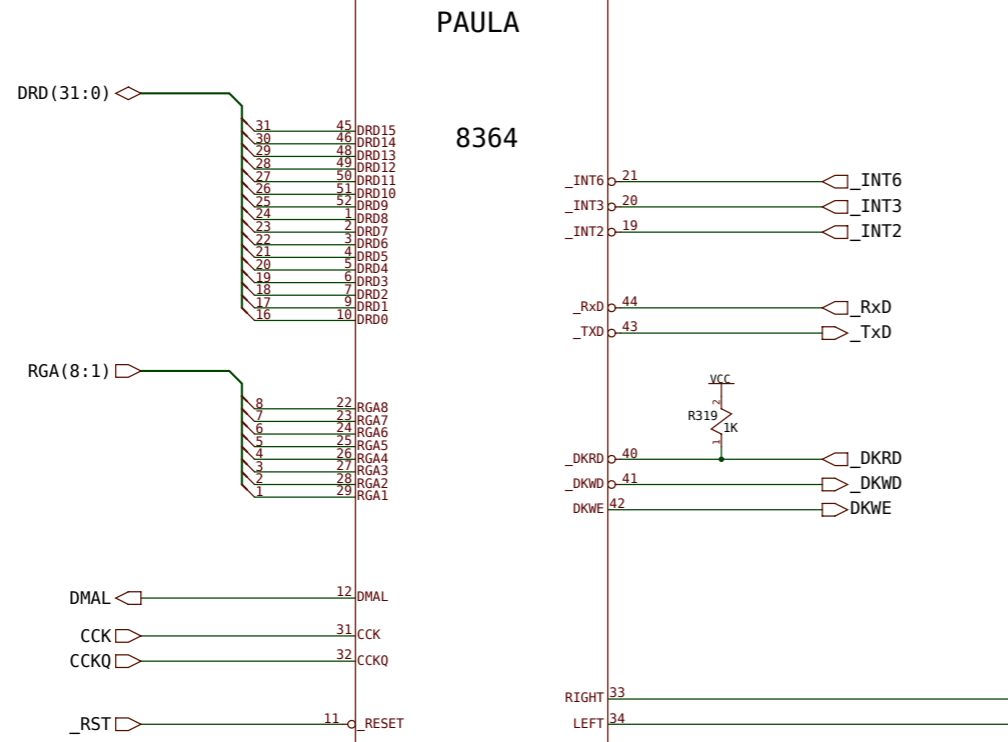
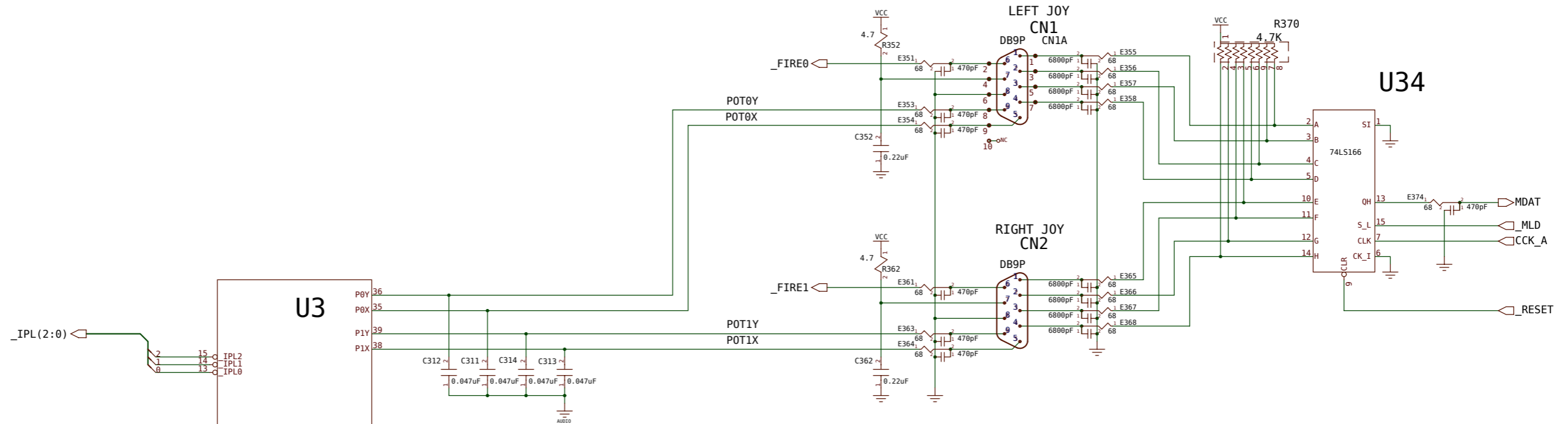
Commodore
 Schematic A1200 Rid
 C/A1200 Main Board
 Channel 2
 SIZE: 1a
 C 364717
 SCALE: SHEET 4 OF 13

DATE: /project/a1200/channel_2.cu1 sheet4

Note: Components designated as Exxx may be loaded with EMI filters, ferrite beads or resistors!

DENISE IS PRETTY MUCH INTO VIDEO...

MOUSE/JOYSTICK PORTS



Note: LED off, Filters bypassed

AUDIO FILTERS

A1200 Rev 1->1d PCB

PAULA PREFERS THE TRADITIONAL MODES

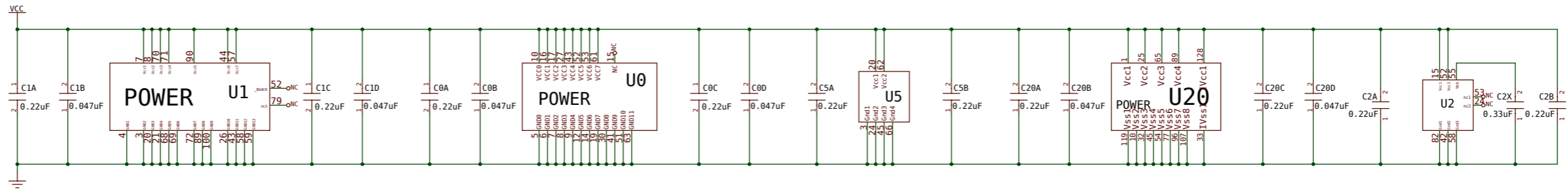
© 1991 Commodore Business Machines
Information contained herein is the unpublished, confidential and trade secret property of Commodore Business Machines, Inc. Any use, reproduction or disclosure of this information without the prior written permission of Commodore is strictly prohibited.

C.A.D. Generated
No manual changes may be made to this document

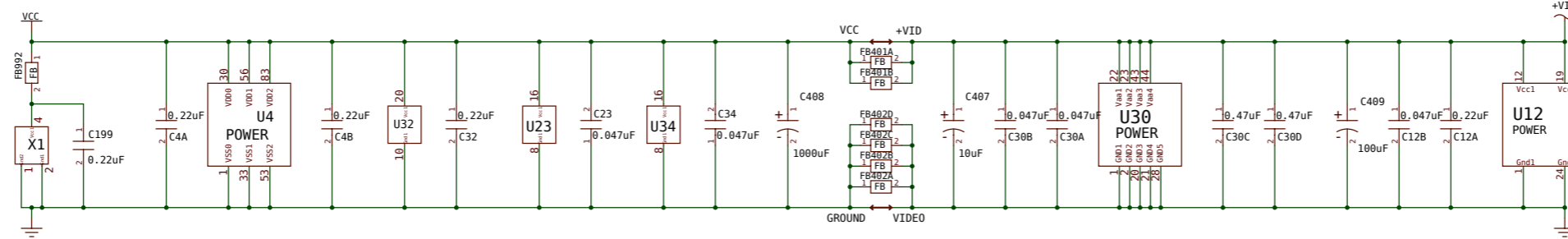
DESIGN BY:	DATE:	Commodore Schematic A1200 Rid "Channel 2"
DRWG: GBR	03/21/92	
LAST. GBR	03/21/92	
APPR:		
USED ON:	NEXT ASSY:	SIZE: 1a
C/A1200	364718	SCALE: SHEET 5 OF 13

PATH: /project/a1200/channel_2.cad sheets

GENERAL DECOUPLING

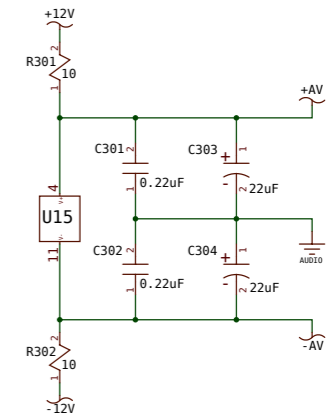


VIDEO DECOUPLING

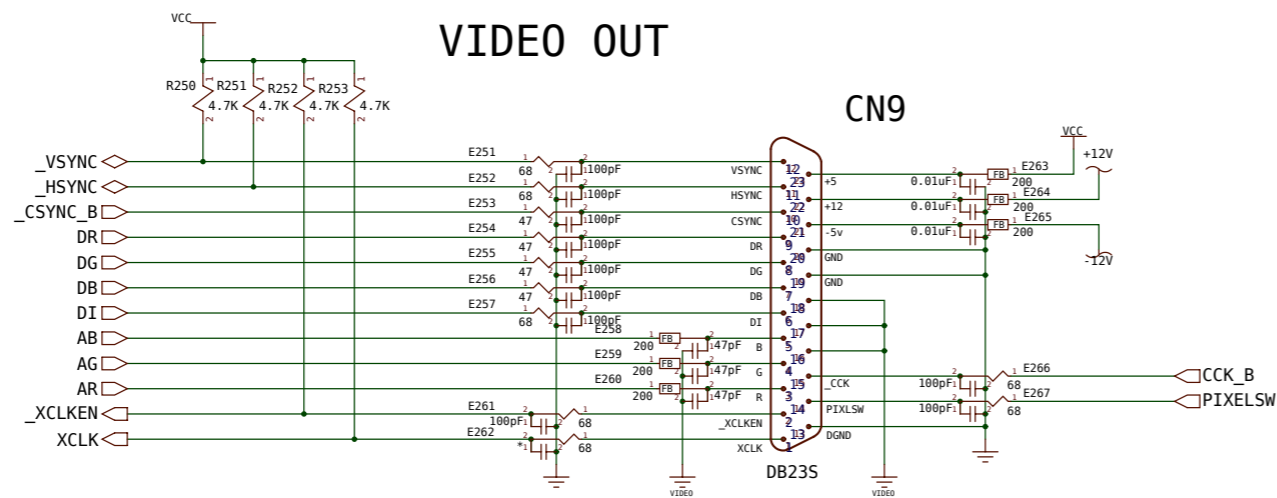


Note: As of Rev 1C, logic and video ground and power are the same net, but routed discretely except at DAC!
Also added C30C and C30D for overkill DAC decoupling.

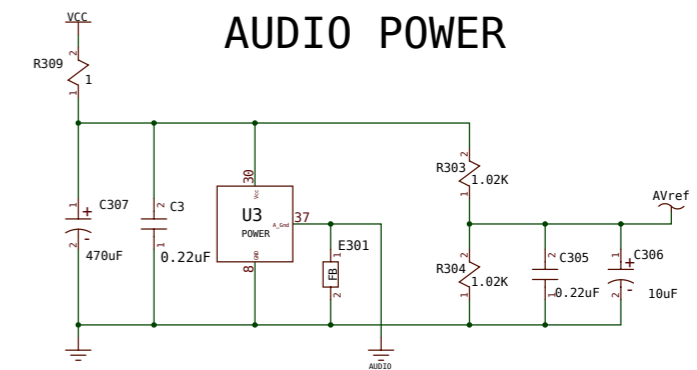
AUDIO DECOUPLING



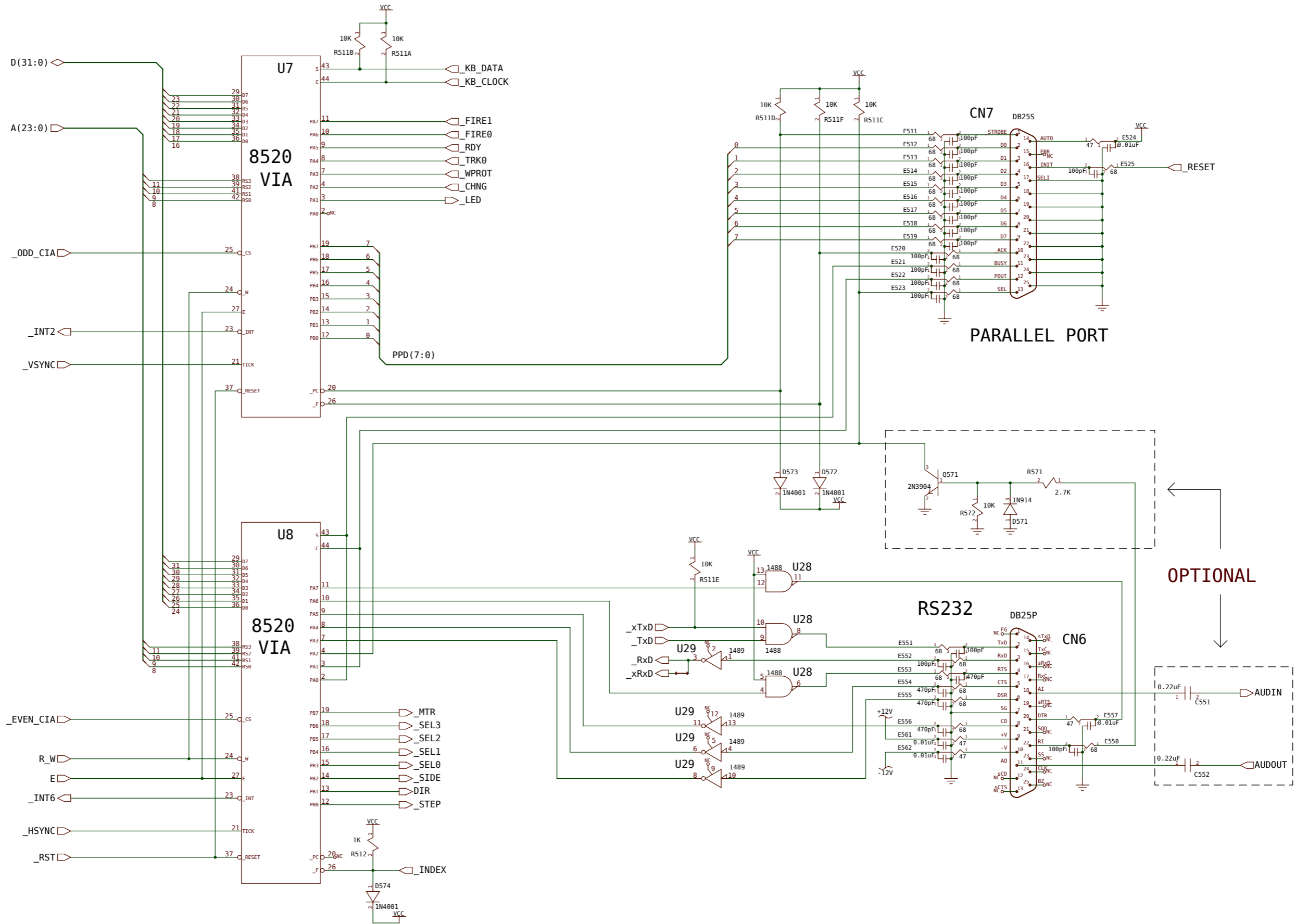
VIDEO OUT



AUDIO POWER



Note: Ground interconnection near audio jacks.



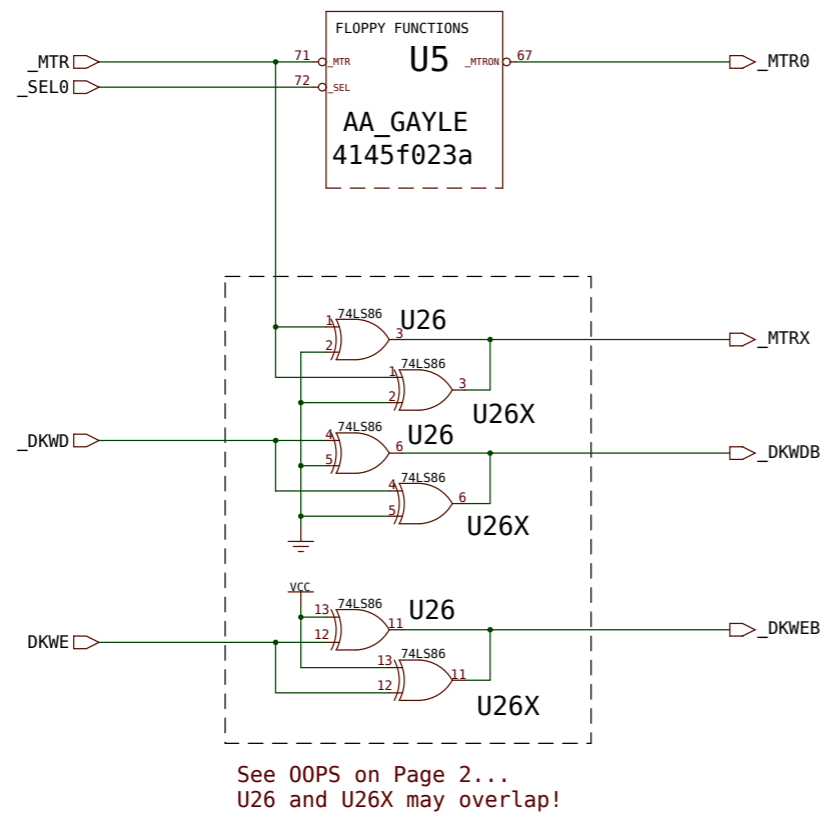
A1200 Rev 1->1d PCB

02/11/91

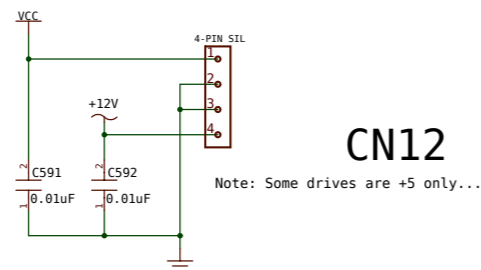
© rebuild for www.amigawiki.org · for private use only

DESIGN BY:		DATE:	
G. Robbins		03/21/92	
DRAWN:		03/21/92	
LAST. MOD:		03/21/92	
CHKD:			
APPR:			
USED ON:	NEXT ASSY:	SIZE:	REV:
C/A1200	364718	C	1a
SCALE:		SHEET 7 OF 13	
C.A.D. Generated		Commodore	
No manual changes may be made to this document		Schematic A1200 Rid C/A1200 Main Board "Channel 2"	
PART: /project/a300/channel_2_rev1_sheet7		C/A1200 364718 1a	

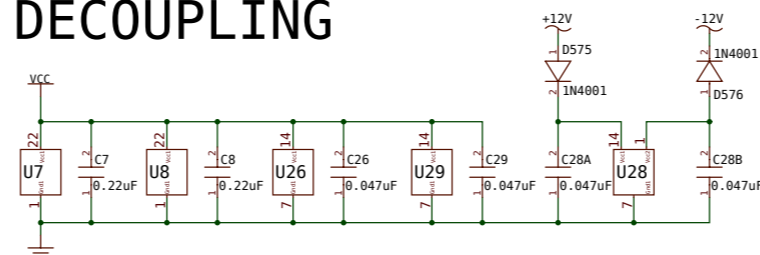
FLOPPY LOGIC



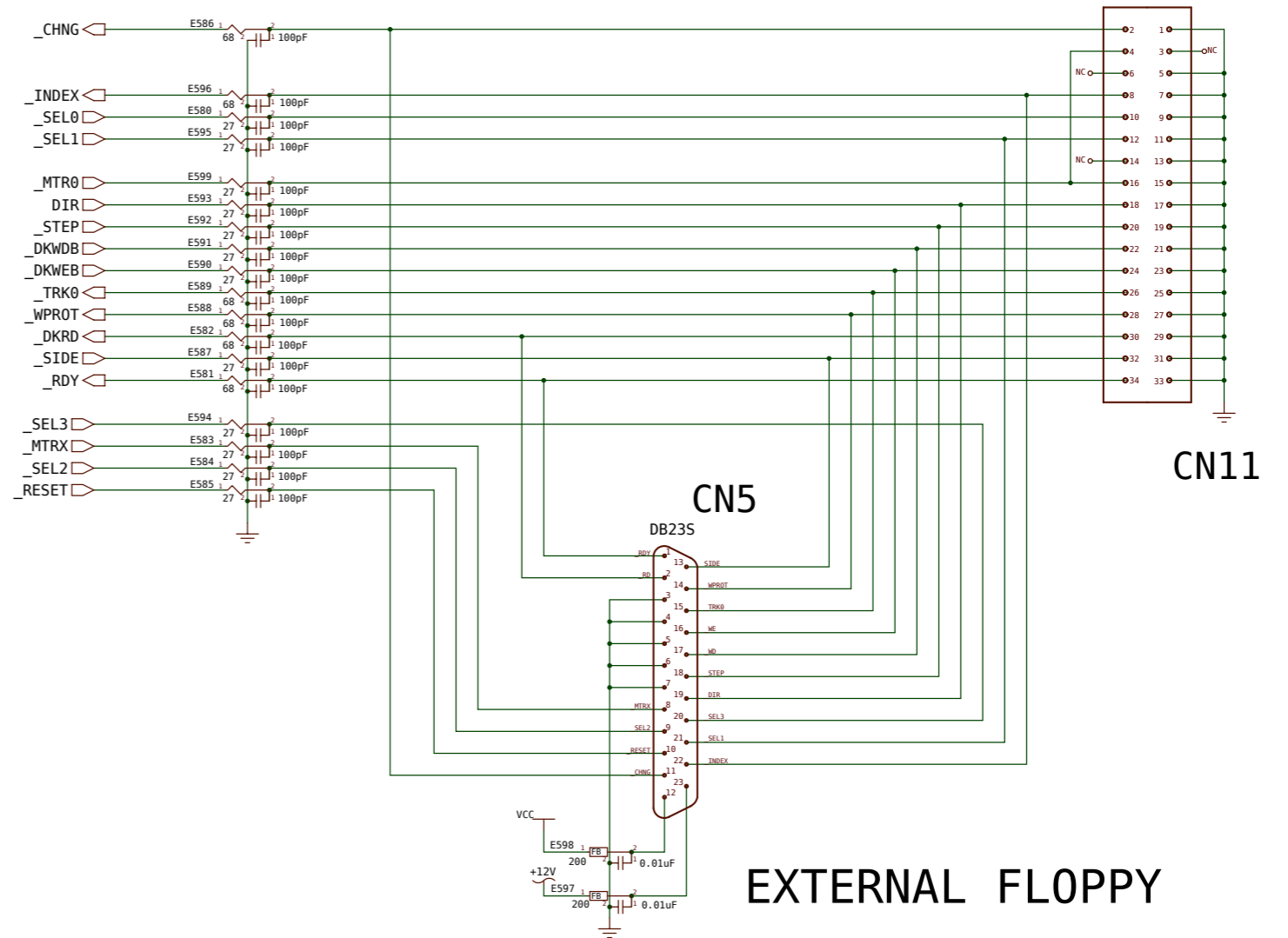
FLOPPY POWER

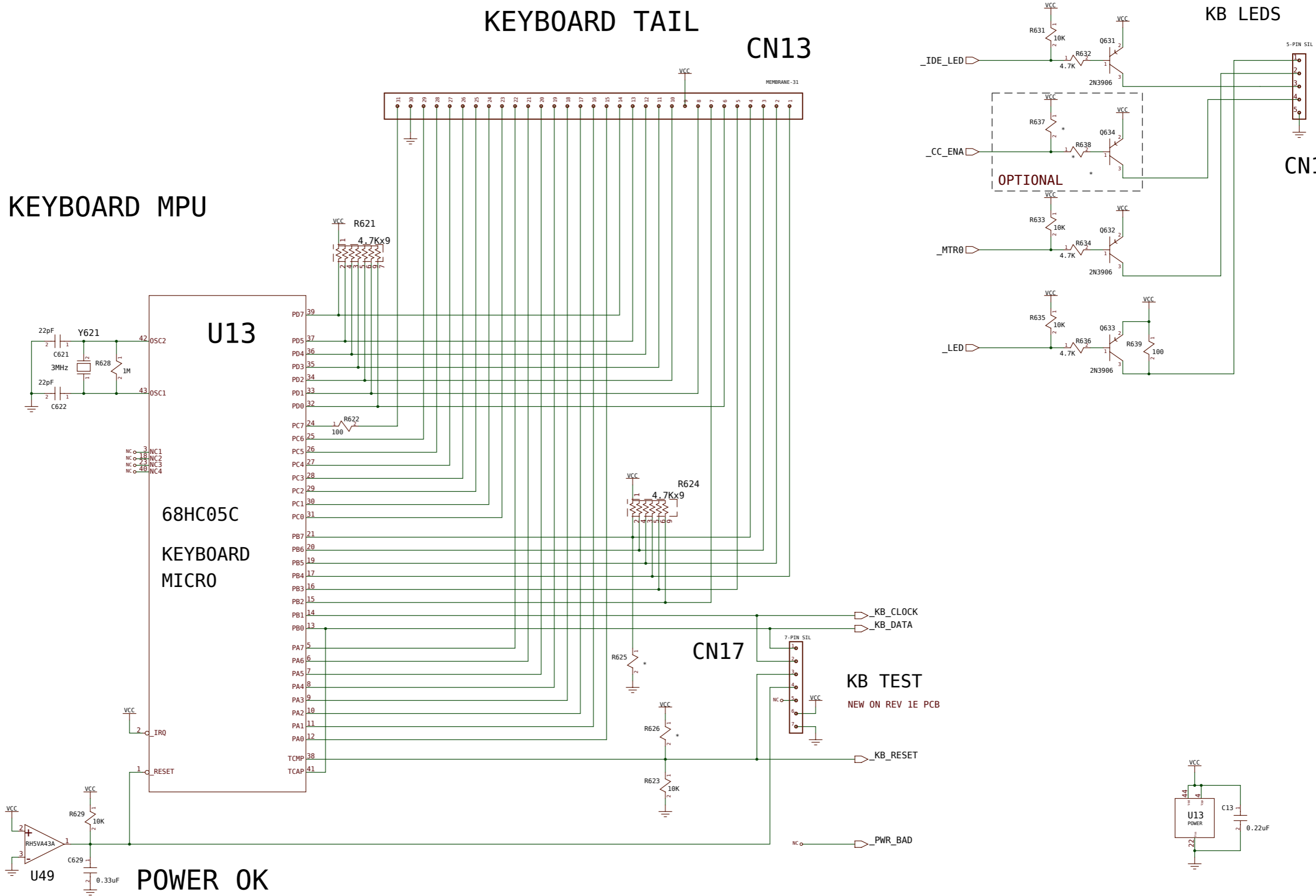


DECOUPLING



INTERNAL FLOPPY





A1200 Rev 1->1d PCB

Rev 1.10 (06.03.2012)

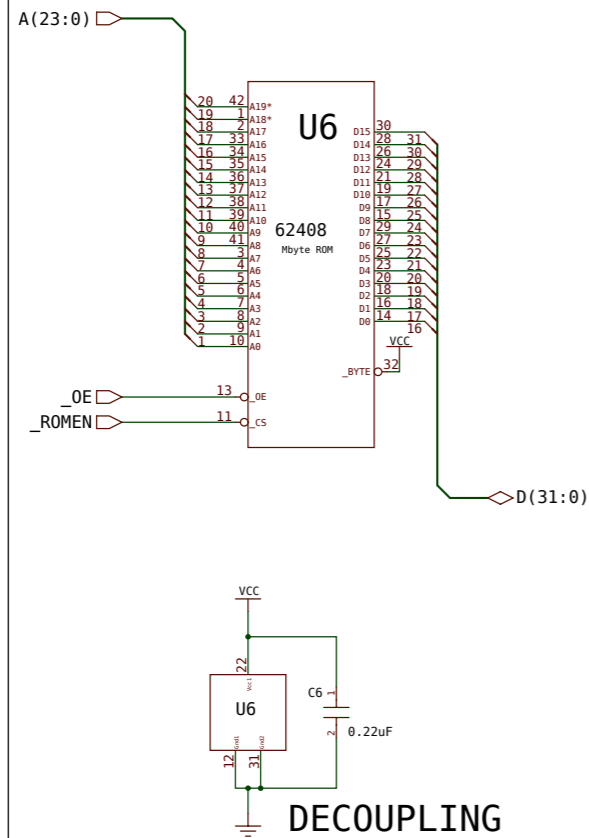
© rebuild for www.amigawiki.org · for private use only

THE NEW HOME OF THE KEYBOARD VIRUS

DESIGN BY: G. Robbins	DATE: 03/22/92	Commodore Schematic A1200 Rid C/A1200 Main Board Channel Z
DESIGN: GBR	03/22/92	
LAST: GBR	03/22/92	
APP: GBR	03/22/92	
USED ON: C/A1200	NEXT ASSY: 364718	SIZE: C 364717 SCALE: 1a SHEET 9 OF 13

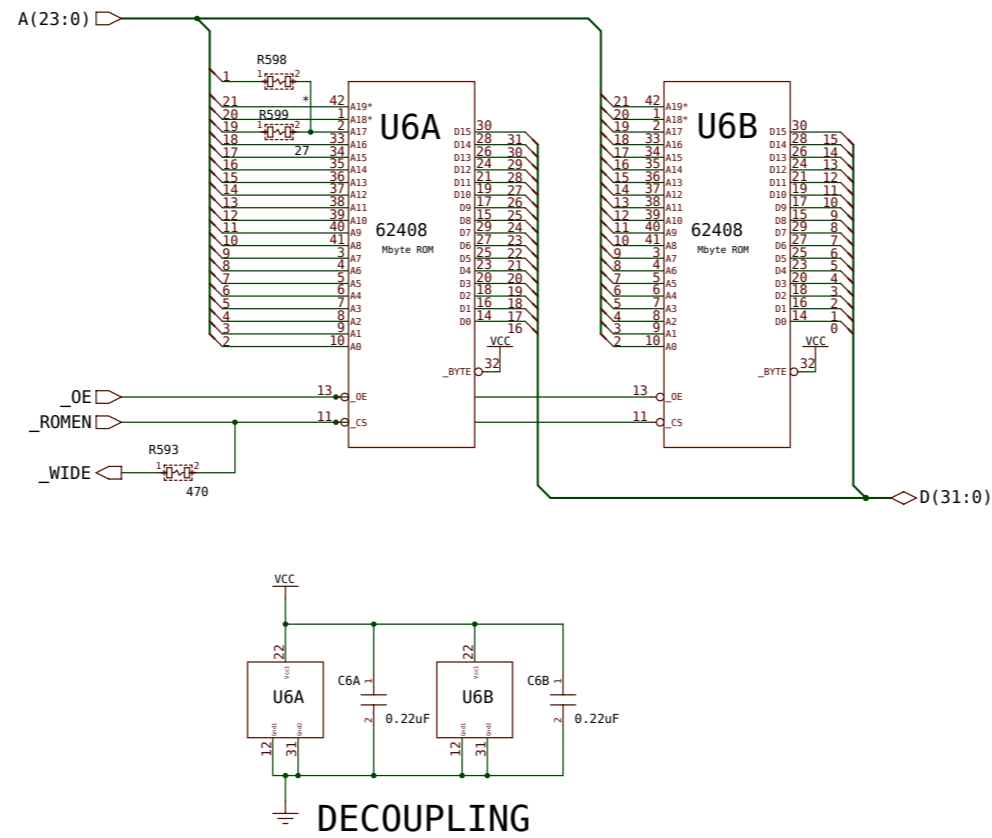
C.A.D. Generated
 No manual changes may be made to this document
 PATH: /project/a300/channel_z/cn13.sch9

16-BIT ROM



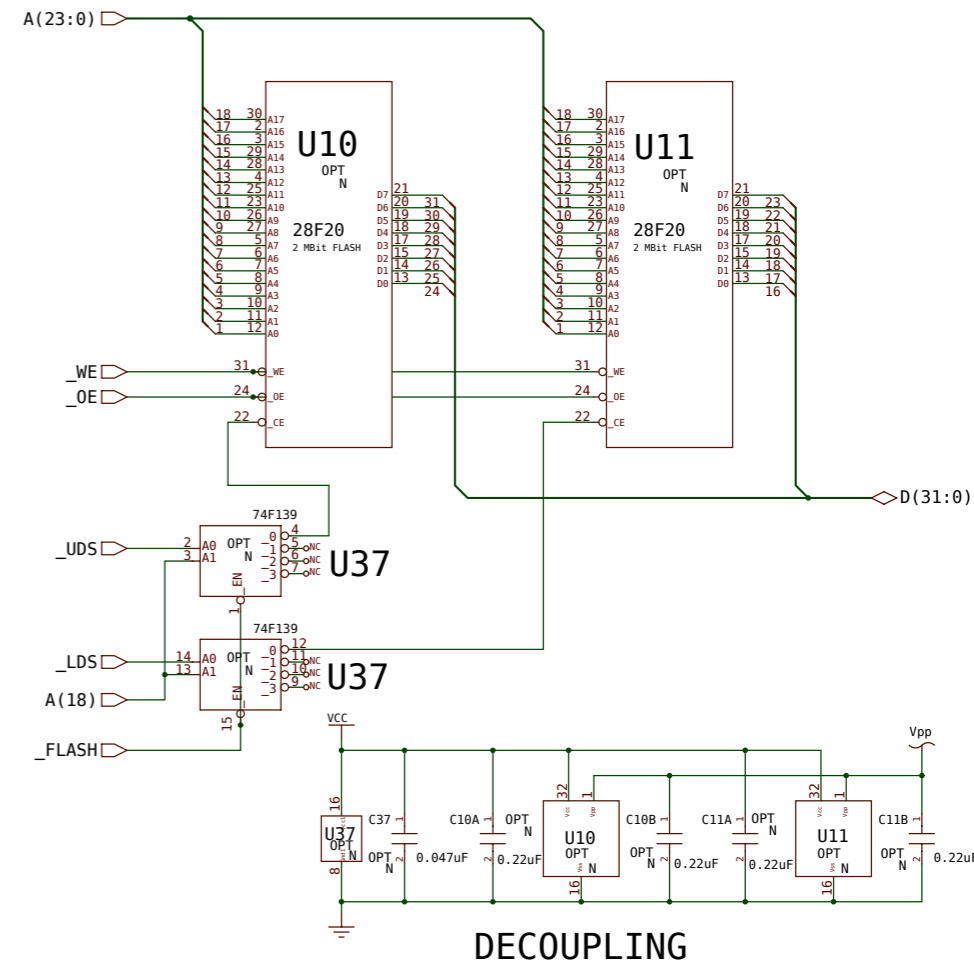
if rom16="yes"

32-BIT ROM



if rom32="yes"

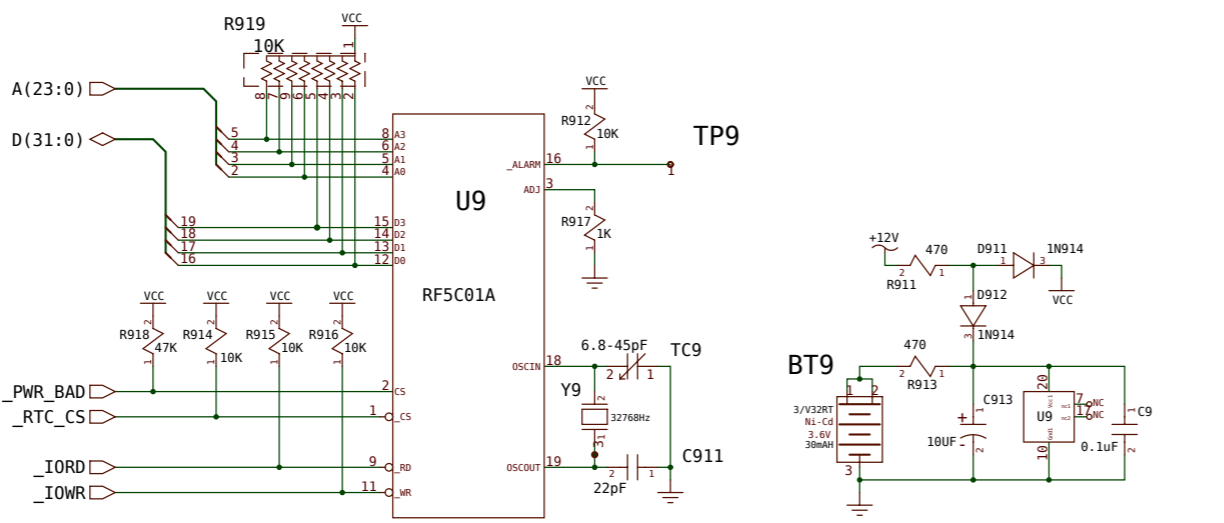
FLASH MEMORY



if flash="yes"

16 AND 32-BIT SOCKETS MAY OVERLAP!

REAL TIME CLOCK

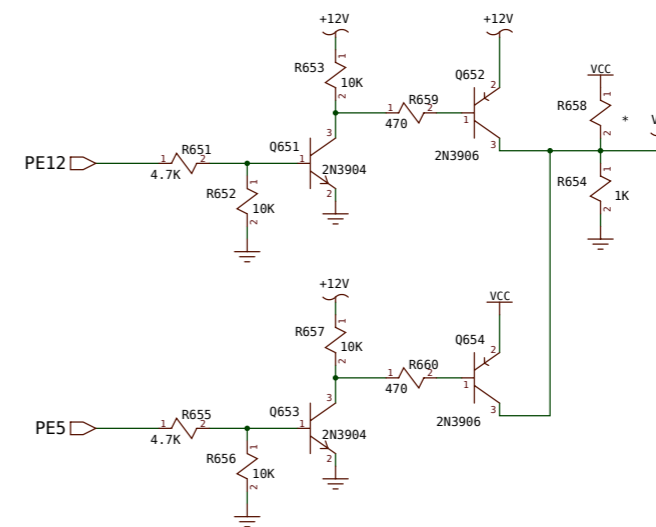


if rtc="yes"

REAL TIME POWER

OPTIONAL FLASH MEMORY

PROGRAMMING VOLTAGE



OPTIONAL REAL-TIME CLOCK/CALENDAR

A1200 Rev 1->1d PCB

104-1 10/16/83 03/20/2011

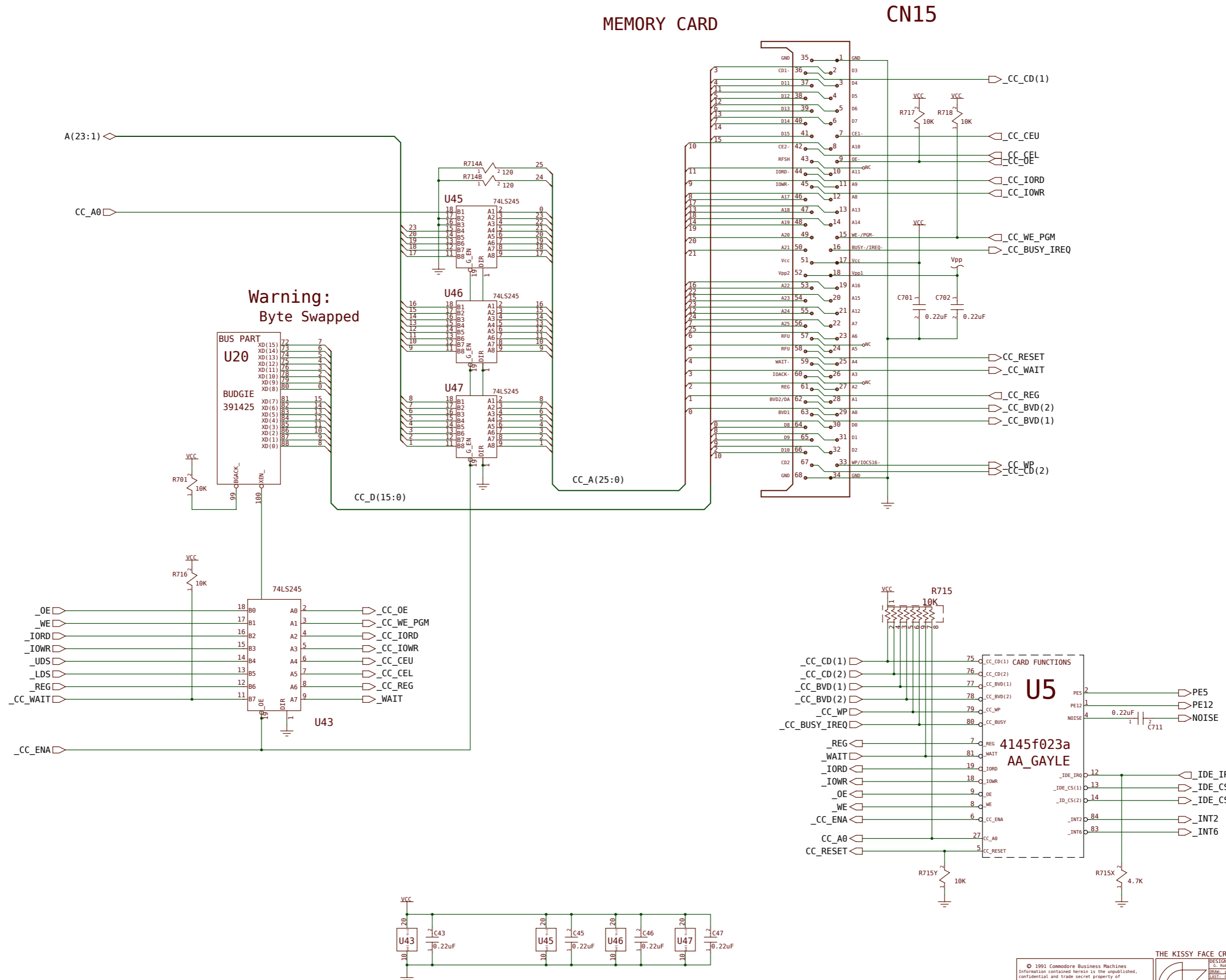
© rebuild for www.amigawiki.org · for private use only

© 1991 Commodore Business Machines Information contained herein is the unpublished, confidential and trade secret property of Commodore Business Machines, Inc. Any use, reproduction or disclosure of this information without the prior written permission of Commodore is strictly prohibited.		ROM - PLAIN AND FANCY - DODADS TOO!	
DESIGN BY: G. Robbins	DATE: 03/22/82	Commodore	
DATE: 03/22/82	REV: 03/22/82	Schematic A1200 Rid C/A1200 Main Board "Channel Z"	
USID OR C/A1200	NEXT ASSY 364718	SIZE C	REV 1a
C.A.D. Generated		SCALE 1:1	SHEET 10 OF 13
No manual changes may be made to this document			

A1200 Rev 1->1d PCB

Rev 1.1d 08/04/2011

© rebuild for www.amigawiki.org · for private use only



THE KISSY FACE CREDIT CARD MONSTER

© 1991 Commodore Business Machines
 Information contained herein is the unpublished,
 confidential and trade secret property of
 Commodore Business Machines, Inc. Any use,
 reproduction or disclosure of this information
 without the prior written permission of
 Commodore is strictly prohibited.

C.A.D. Generated
 No manual changes may be made to this document

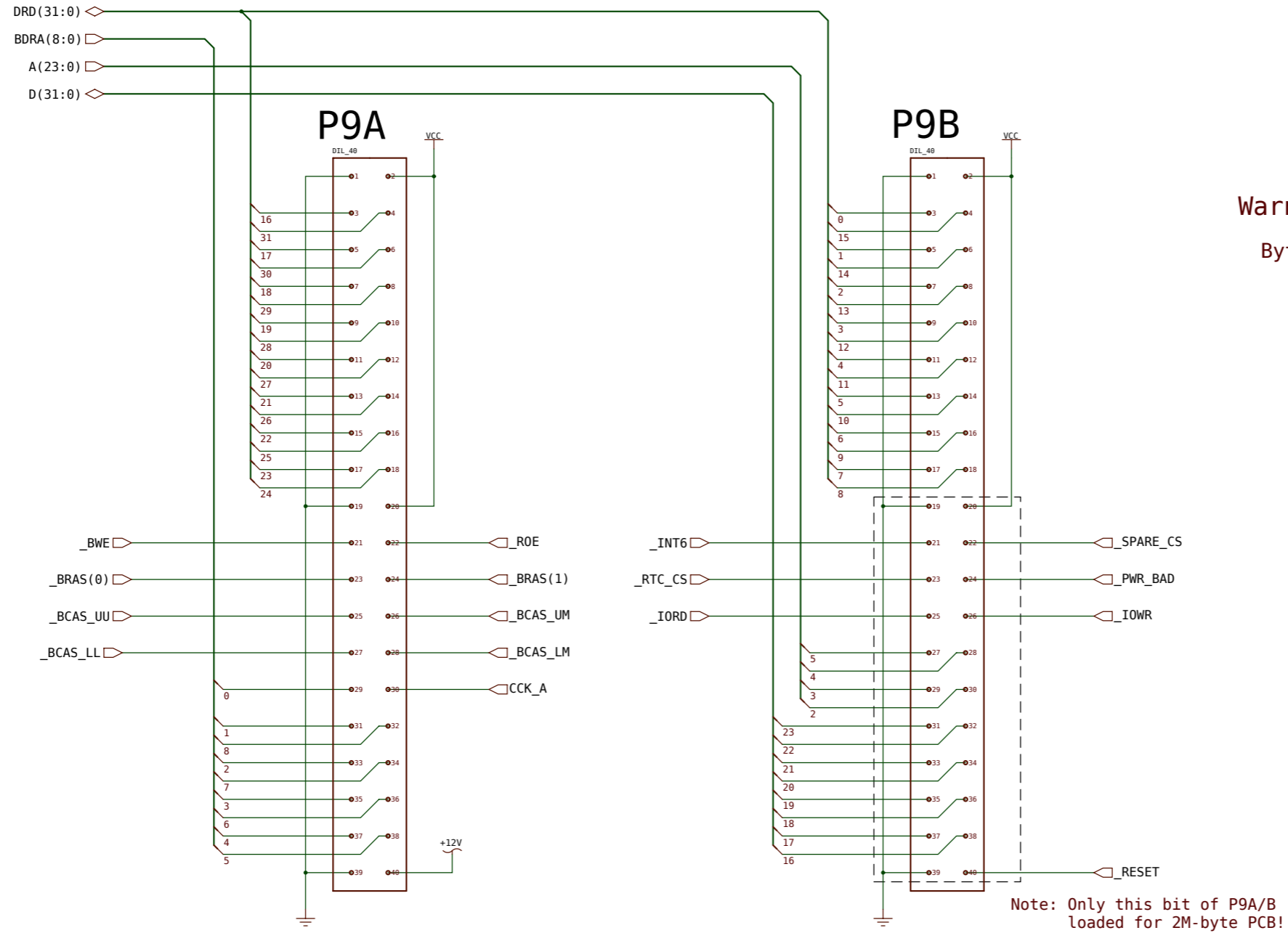
DESIGN BY: G. Robbins
 DATE: 03/21/92

SCHEMATIC A1200 Rid
 C/A1200 Main Board
 "Channel Z"

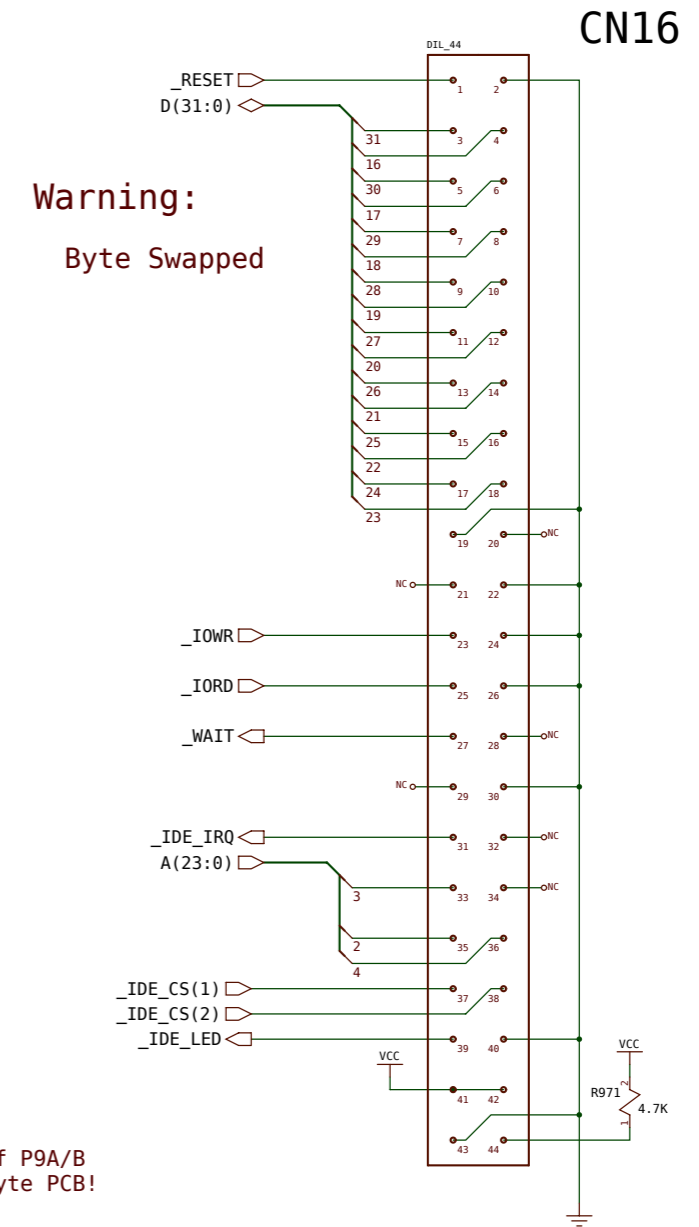
SIZE: 11x13
 SCALE: 1:1

REV: 1a
 SHEET: 11 OF 13

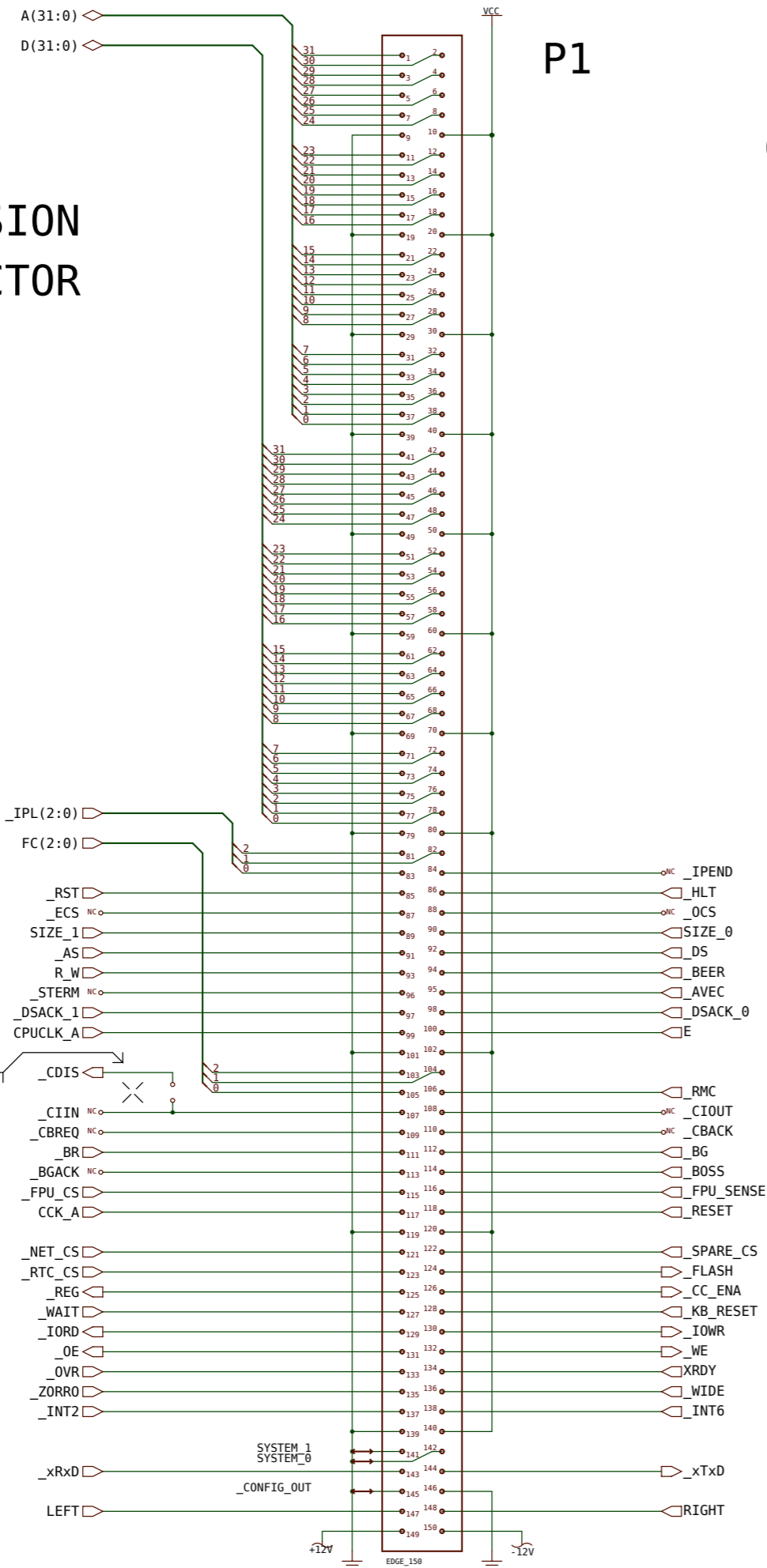
MEMORY EXPANSION



IDE DRIVE



EXPANSION CONNECTOR

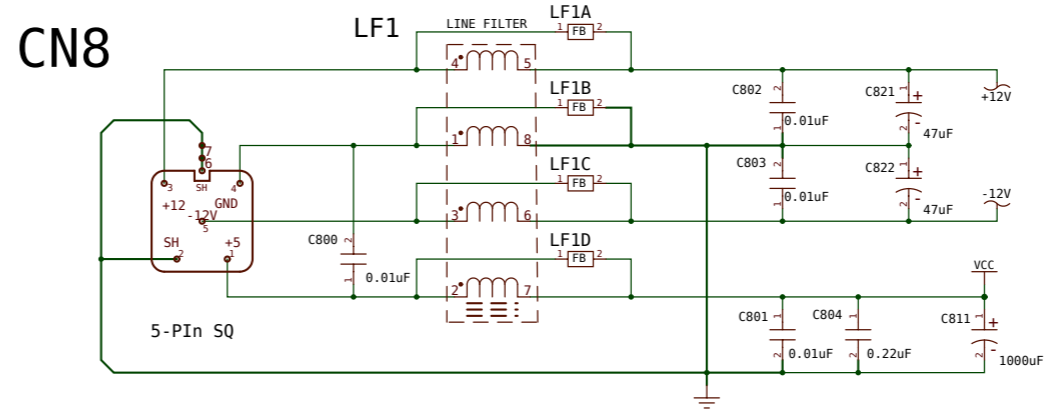


DELETED R1B PCB

A1200 Rev 1->1d PCB

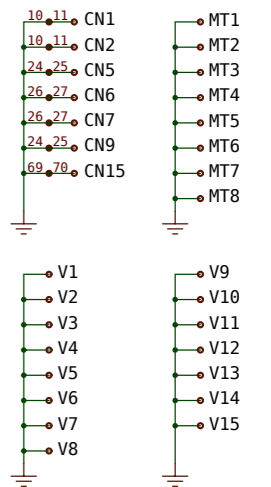
P1

POWER INPUT

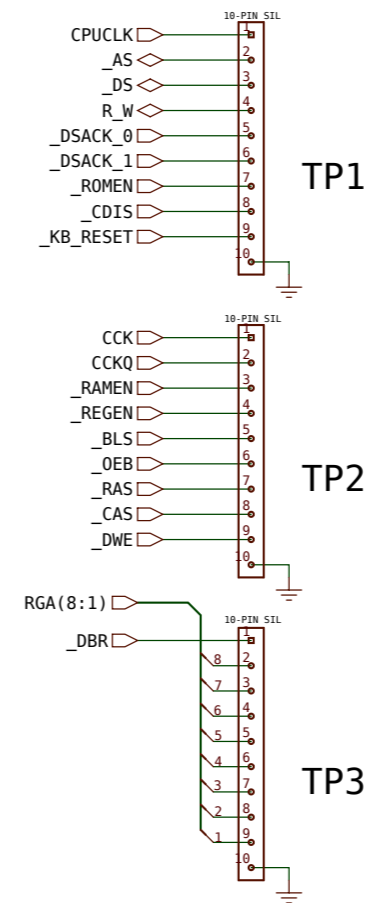


NOTE: HEAVY LINES INDICATE A SINGLE POINT CONNECTION

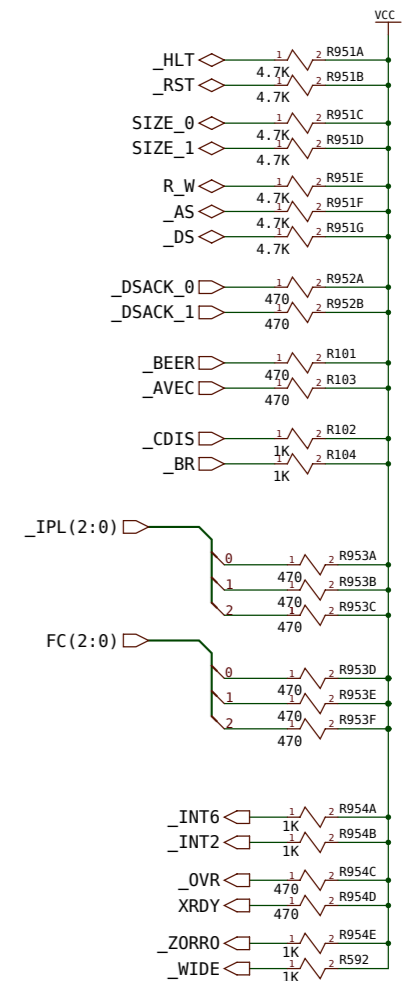
HOLES &c.



TEST ACCESS



TERMINATION



System Configuration Bits

SYSTEM	<u>1</u>	<u>0</u>	CPU/CPUCLK
0	0	0	EC020/14MHZ
0	1	0	020/14MHZ
1	0	0	030/14MHZ
1	1	0	030/>14MHZ

POWER DISTRIBUTION AND DECOUPLING

DESIGN BY: G. Robbins
 DATE: 03/11/92
 DRAWN: GBR
 LAST. GBR
 CHECK: GBR
 APPRO: GBR

© 1991 Commodore Business Machines
 Information contained herein is the unpublished,
 confidential and trade secret property of
 Commodore Business Machines, Inc. Any use,
 reproduction or disclosure of this information
 without the prior written permission of
 Commodore is strictly prohibited.

C.A.D. Generated
 No manual changes may be made to this document

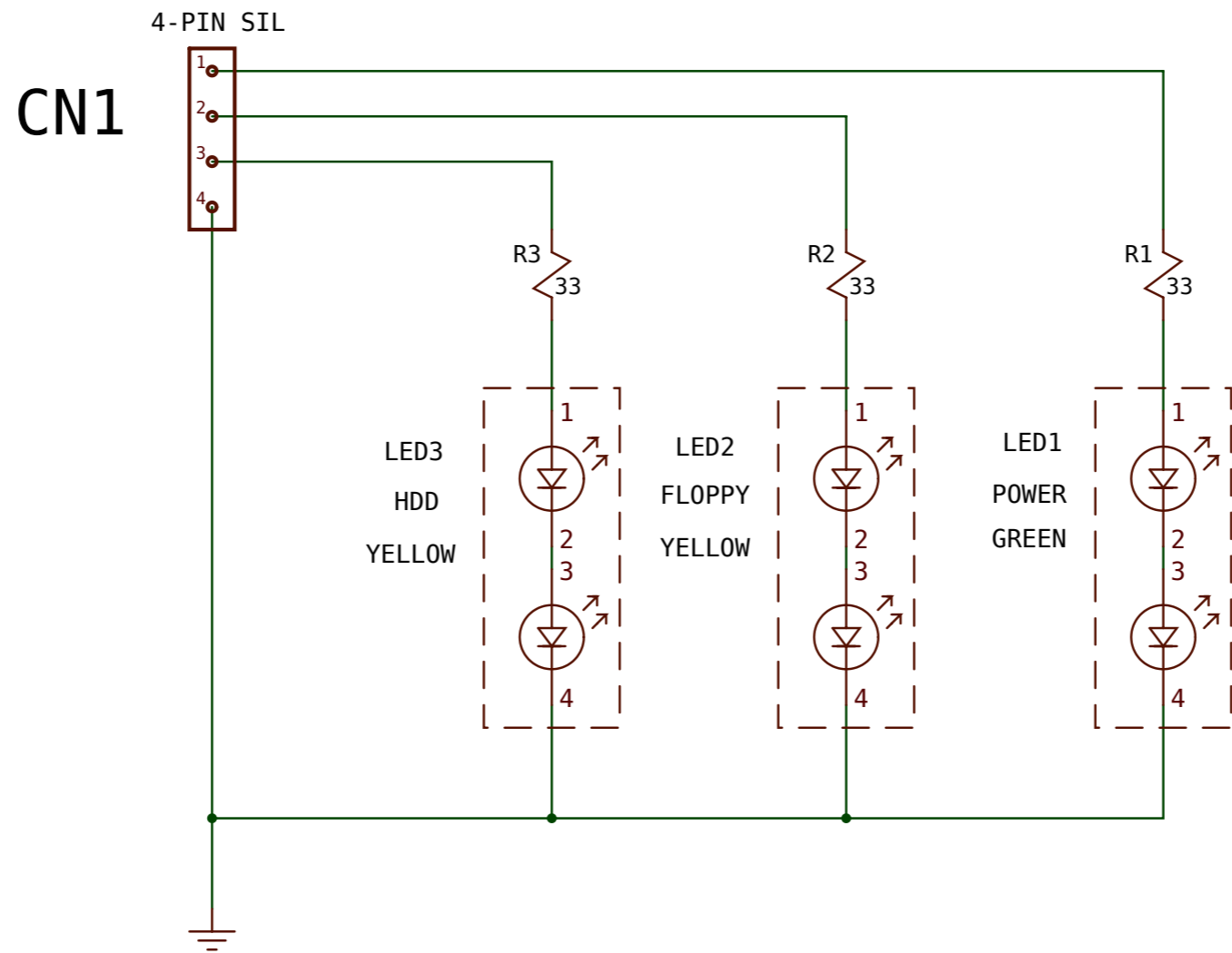
Commodore
 Schematic A1200 Rid
 C/A1200 Main Board
 "Channel Z"

USID OR: C/A1200
 NEXT ASSY: 364718
 SCALE: 1:1

SIZE: 1a
 SHEET 13 OF 13

DATE: /rprojct/a1200/channel_z.cad sheet13

REVISIONS				
REV	DESCRIPTION	DATE	APRVL	MANAGER
1	ADVANCE ENGINEERING RELEASE			




A1200 LED PCB ASSEMBLY REV1

SHINE ON, SHINE ON

© 1991 Commodore Business Machines
 Information contained herein is the unpublished,
 confidential and trade secret property of
 Commodore Business Machines, Inc. Any use,
 reproduction or disclosure of this information
 without the prior written permission of
 Commodore is strictly prohibited.

C.A.D. Generated
 No manual changes may be made to this document

	DESIGN BY:	B. FENIMORE	DATE	7/21/92	Commodore SCHEMATIC A1200 LED ASSY
	DRAW:	BAF	7/21/92		
	LAST:	BAF	7/21/92		
	CHKD:				
APPR:					
USED ON	A1200	NEXT ASSY	364963		
SIZE	A	364966	REV	1	
SCALE			SHEET	1 OF 1	

Rev. 1.38 (06.09.2012)