

Amiga

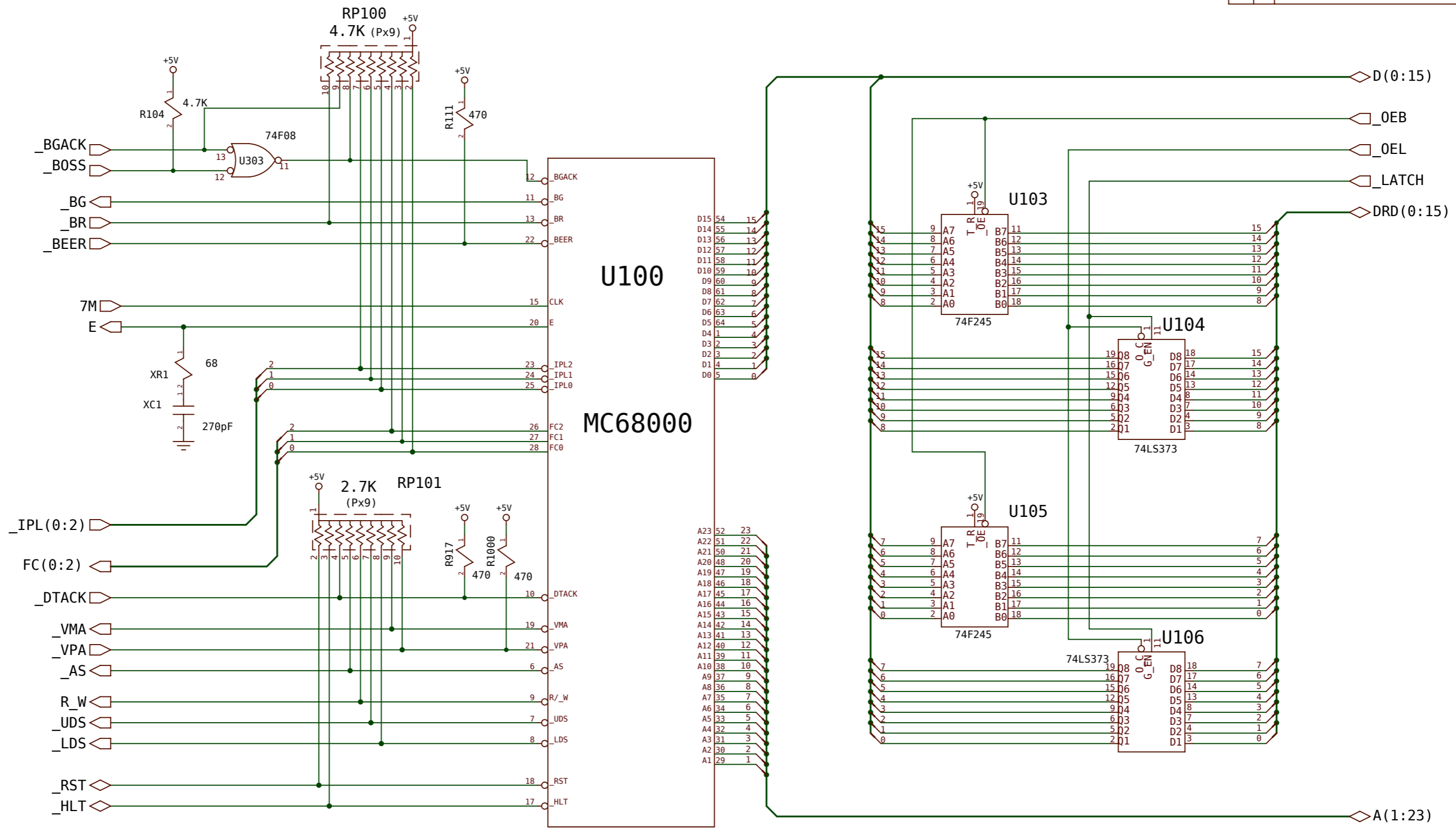
A2000_R6

Rev.1.38 (05.09.2012)

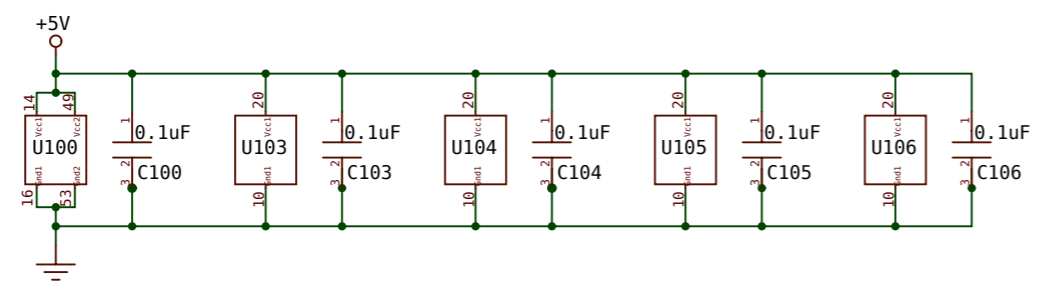


www.amigawiki.org

REVISIONS				
ZONE	LTR	DESCRIPTION	DATE	APPROVED
	2	ADVANCED ENGINEERING RELEASE		
	3	PILOT PRODUCTION RELEASE		
	4	PRODUCTION RELEASE		
	J	DOCUMENTATION CLEANUP		



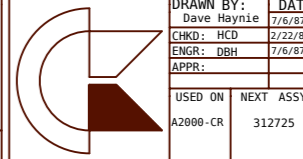
Note: XR1/XC1 added by ECO 890262 for E-Clock termination...



© 1989 COMMODORE BUSINESS MACHINES
 Information contained herein is the unpublished, confidential and trade secret property of Commodore Business Machines, Inc. Any use, reproduction or disclosure of this information without the prior written permission of Commodore is strictly prohibited.

C.A.D. Generated
 No manual changes may be made to this document

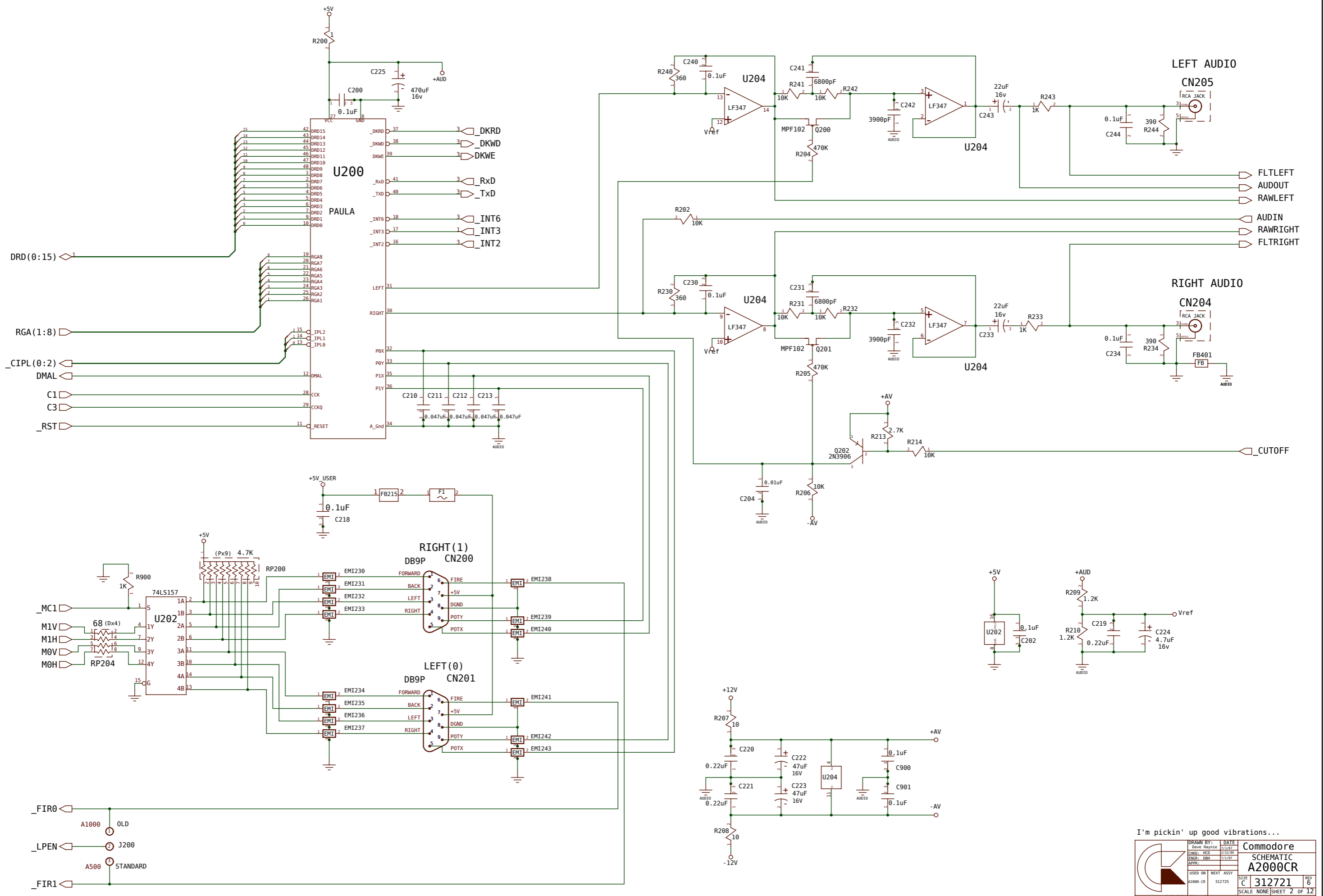
Something in the way she moves...

DRAWN BY: Dave Haynie	DATE: 7/6/87	 Commodore SCHEMATIC A2000CR
CHKD: HCD	2/22/89	
ENGR: DBH	7/6/87	
APPD:		
USED ON: A2000-CR	NEXT ASSY: 312725	SIZE: C 312721 SCALE: NONE SHEET: 1 OF 12

PATH: /user/b52 lib/a2k processor

Rev. 1.38 (05.09.2012)

REVISIONS				
ZONE	LTR	DESCRIPTION	DATE	APPROVED
2		SEE COVER SHEET		

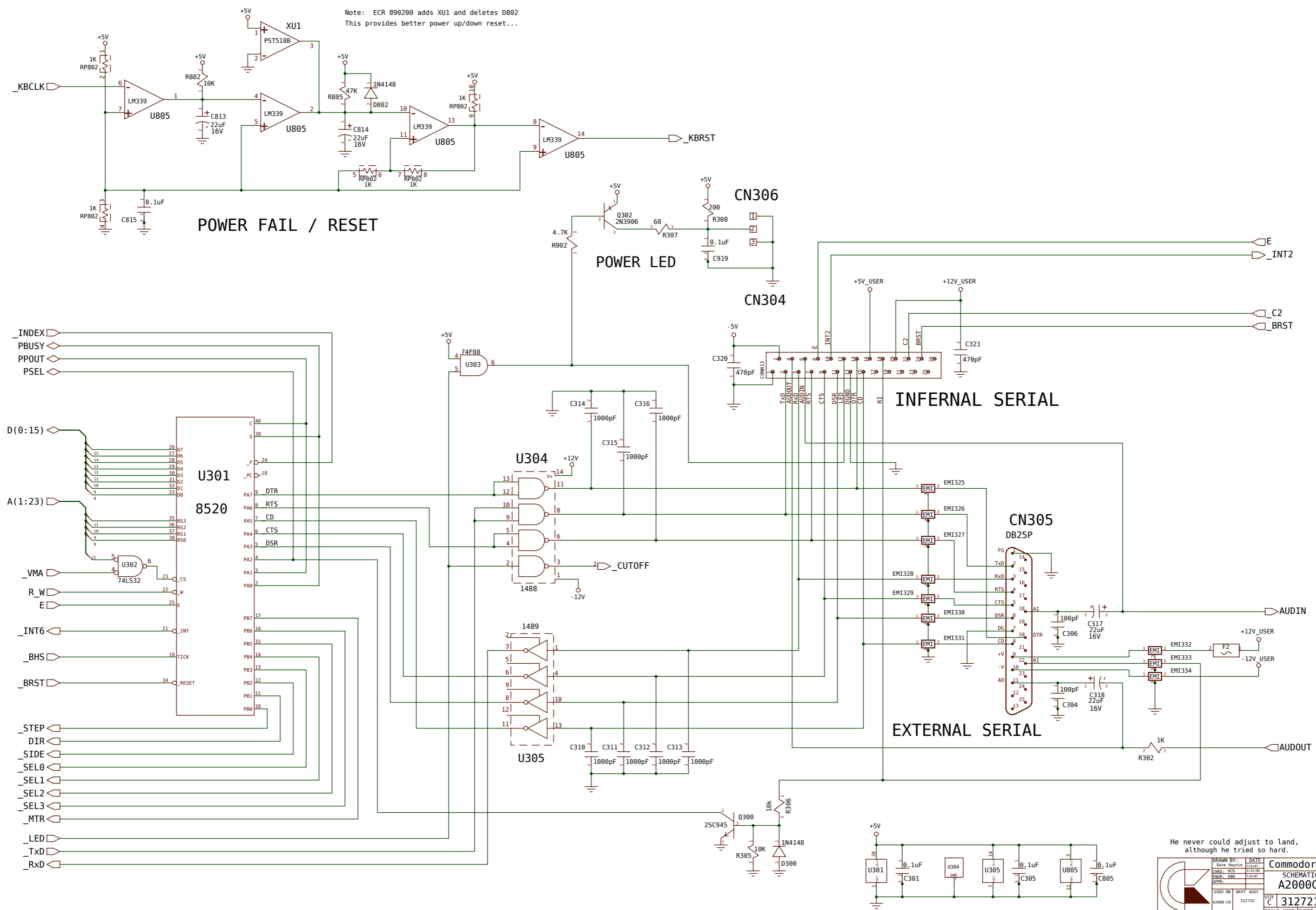


I'm pickin' up good vibrations...

DRAWN BY: Dave Haynie	DATE: 7/1/87	Commodore SCHEMATIC A2000CR
CHKD: HCB	2/22/89	
ENGR: DBH	5/1/87	
APPR:		
USED ON: A2000-CR	NEXT ASSY: 312725	SIZE: C 312721 SCALE: NONE SHEET 2 OF 12

PATH: /user/BS2_118/24k_audio

REVISIONS				
ZONE	LTR	DESCRIPTION	DATE	APPROVED
	2	SEE COVER SHEET		

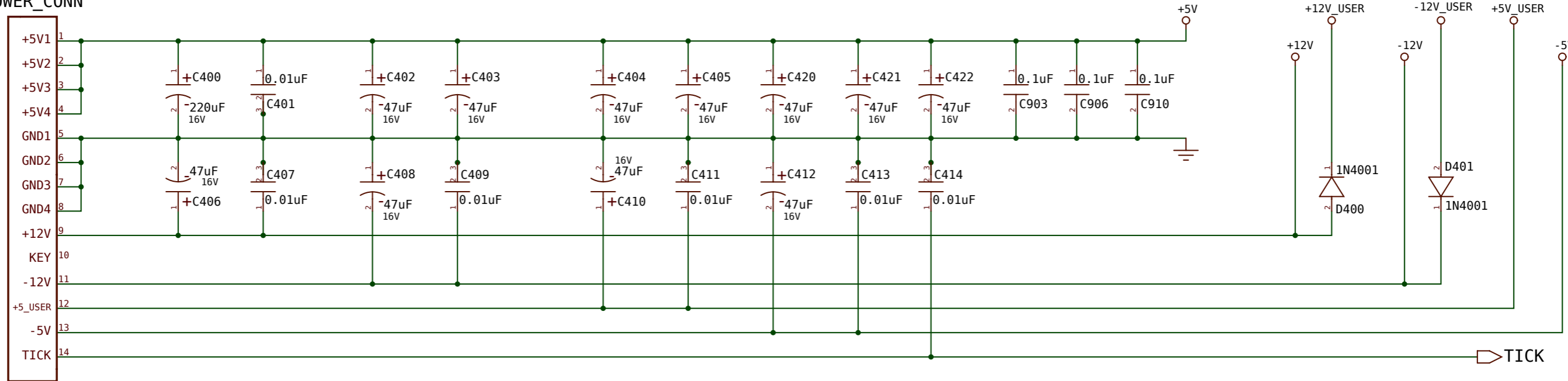


He never could adjust to land,
although he tried so hard.

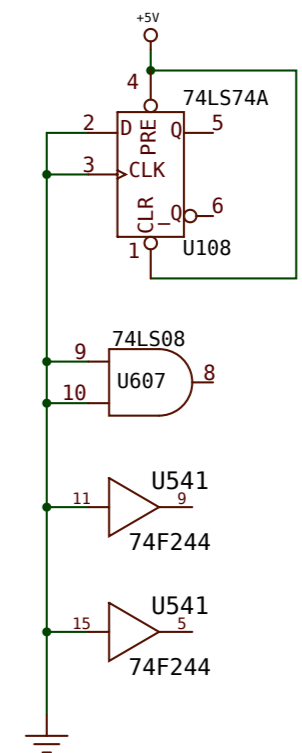
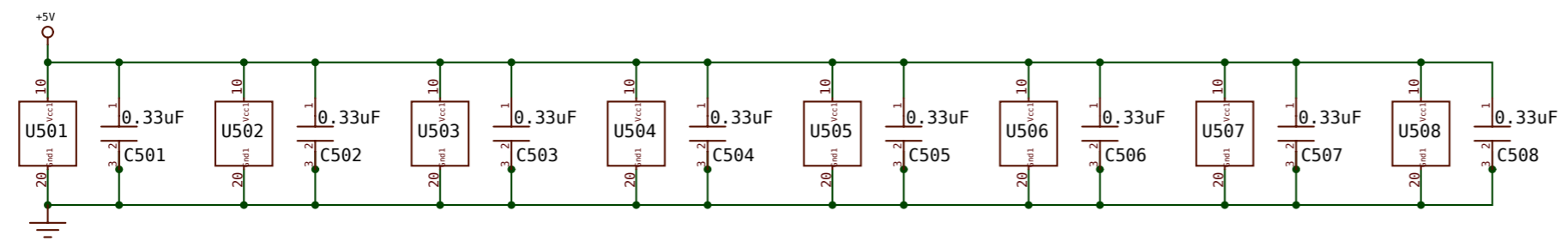
	DRAWN BY: Dave Haynie CHKD: HCD ENGR: DBH APPR:	DATE: 7/6/87 12/22/89 5/6/87	Commodore SCHEMATIC A2000CR
	USED ON: A2000-CR NEXT ASSY: 312725	SIZE: C SCALE: NONE	PART: 312721 SHEET: 3 OF 12

REVISIONS				
ZONE	LTR	DESCRIPTION	DATE	APPROVED
	2	SEE COVER SHEET		

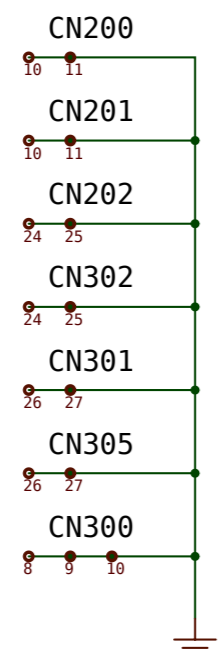
CN400
POWER_CONN



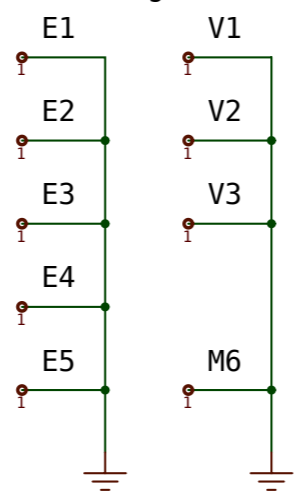
SPARES



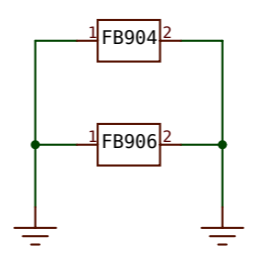
Connectors...



Mounting Holes...



Placebos...



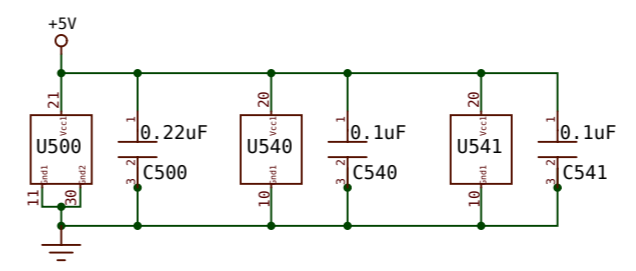
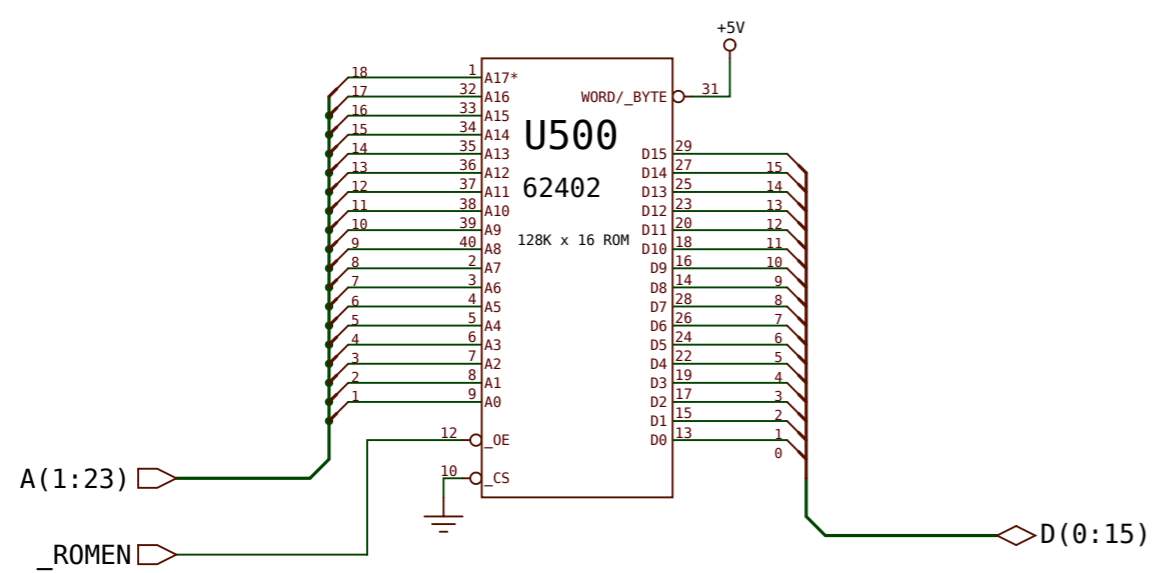
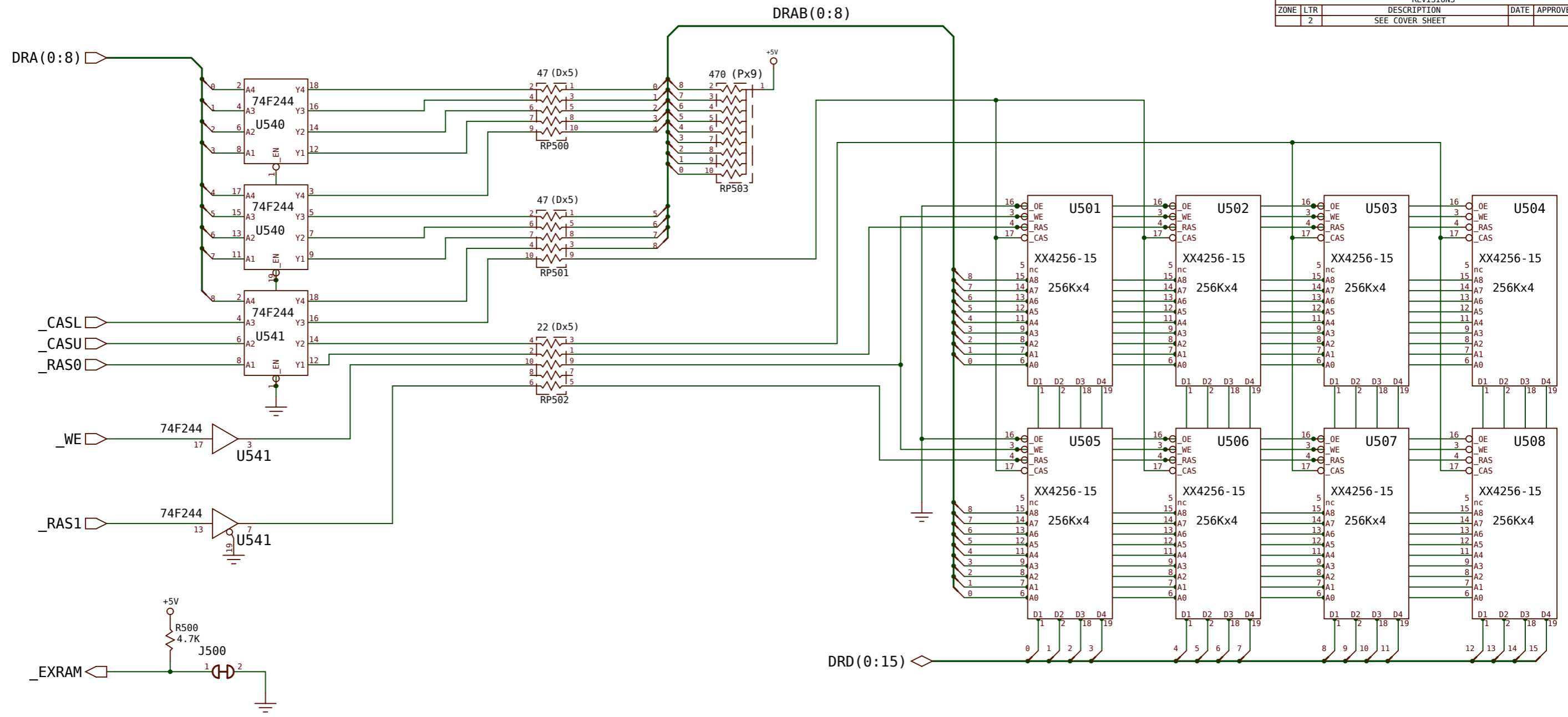
Baby, we were born to run...

	DRAWN BY: Dave Haynie	DATE: 7/1/87	Commodore SCHEMATIC A2000CR
	CHKD: HCD	2/22/89	
	ENGR: DBH	7/1/87	
	APPR:		
USED ON	NEXT ASSY	SIZE	REV
A2000-CR	312725	C	6
SCALE NONE			SHEET 4 OF 12

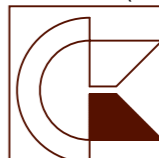
PATH: /user/b52_lib/a2k power

Rev. 1.38 (05.09.2012)

REVISIONS				
ZONE	LTR	DESCRIPTION	DATE	APPROVED
2		SEE COVER SHEET		



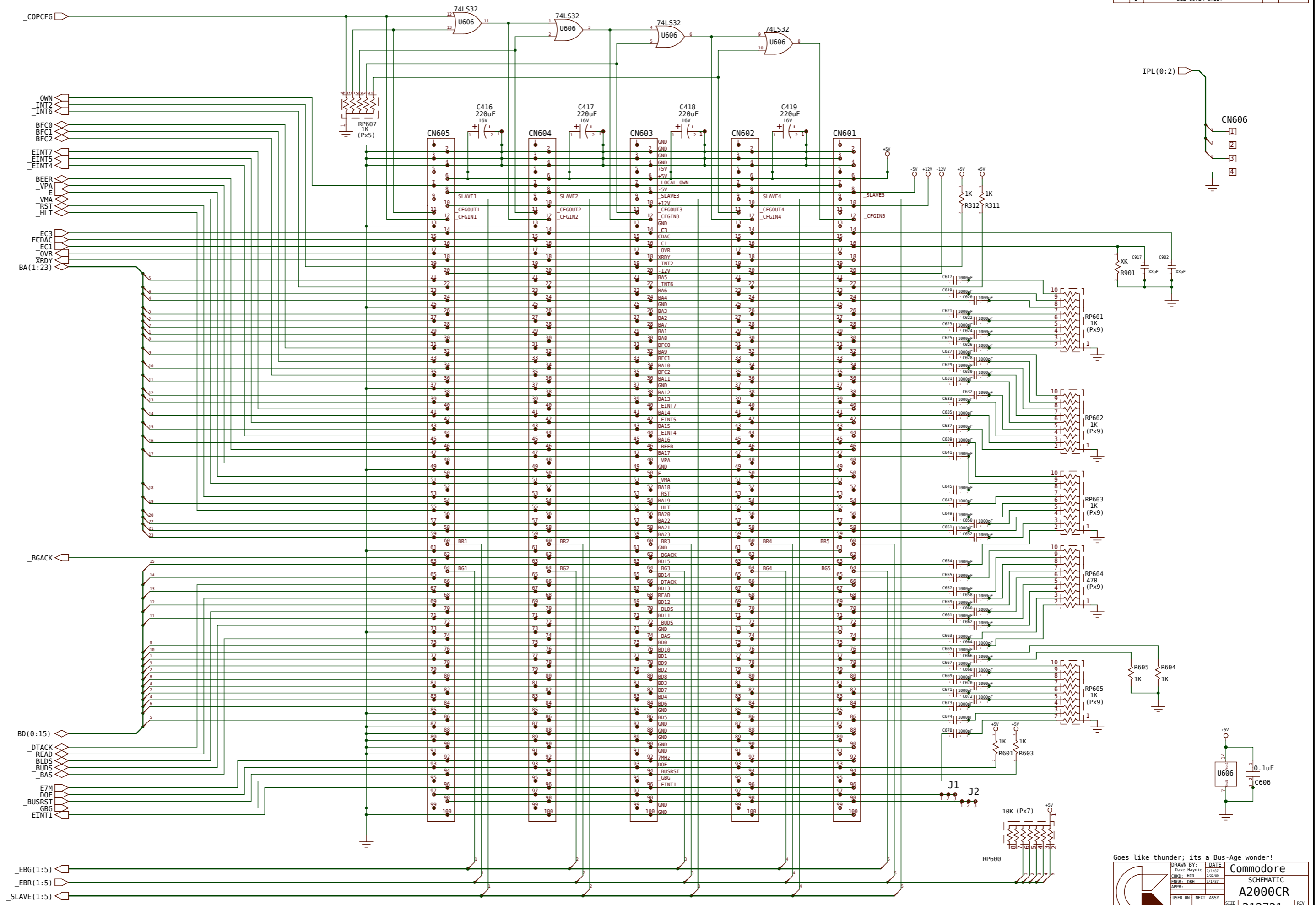
Memories (all alone in the moonlight)

DRAWN BY:	DATE	 Commodore SCHEMATIC A2000CR
CHKD: HCD	2/22/89	
ENGR: DBH	7/6/87	
APPR:		
USED ON	NEXT ASSY	SIZE
A2000-CR	312725	C 312721
		SCALE NONE SHEET 5 OF 12

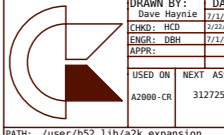
PATH: /user/b52/lib/a2k/memories

Rev. 1.38 (05-09-2012)

REVISIONS				
ZONE	LTR	DESCRIPTION	DATE	APPROVED
2		SEE COVER SHEET		



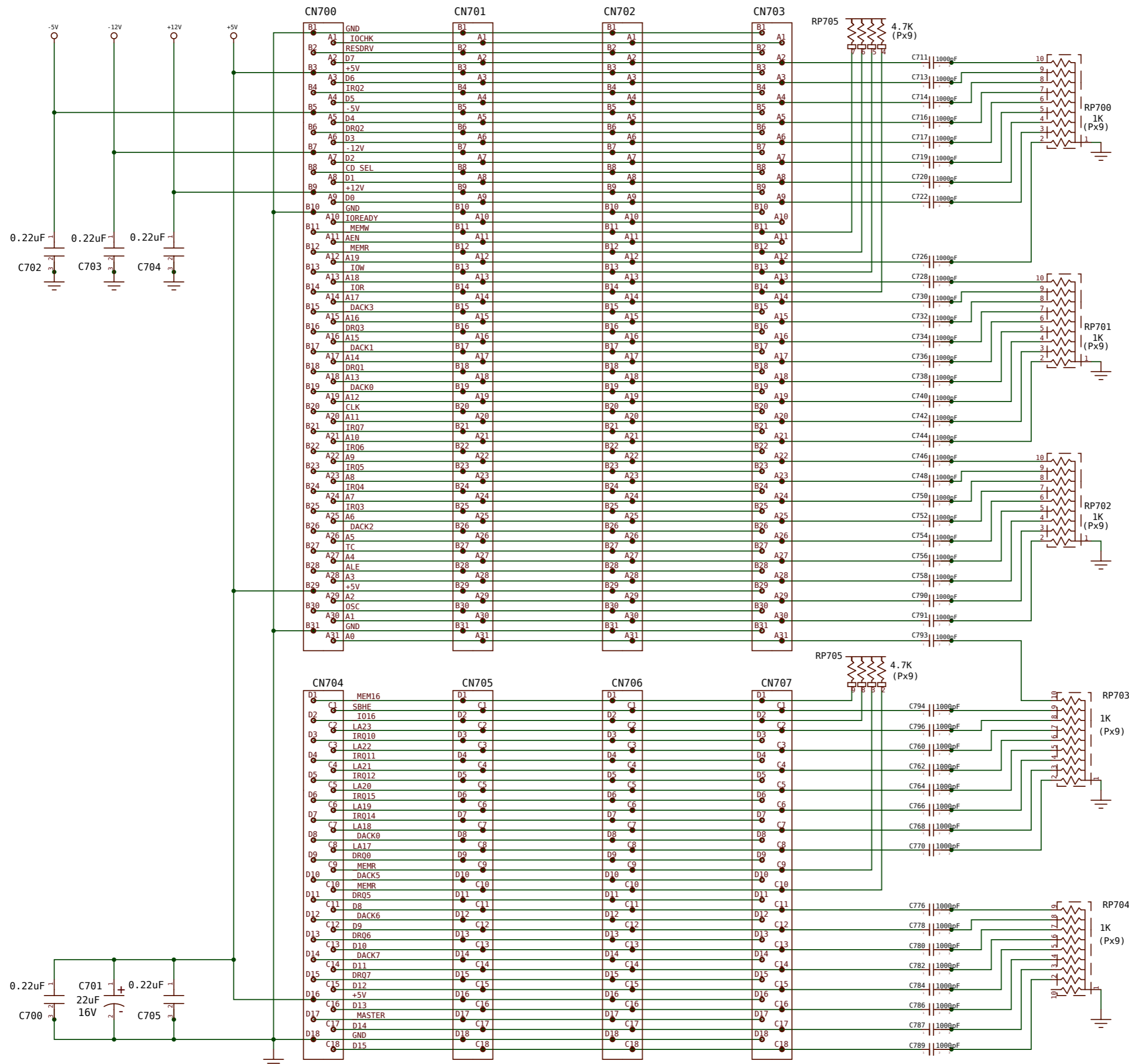
Goes like thunder; its a Bus-Age wonder!

DRAWN BY:	DATE:	 Commodore SCHEMATIC A2000CR SIZE C 312721 REV 6 SCALE NONE SHEET 6 OF 12
CHKD: HCD	1/22/88	
ENGR: DBH	7/17/87	
APPR:		
USED ON	NEXT ASSY	
A2000-CR	312725	

PATH: /user/bs2 Lib/a2k expansion

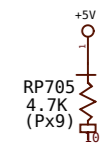
Rev: 1.38 45-49-1023

REVISIONS				
ZONE	LTR	DESCRIPTION	DATE	APPROVED
2		SEE COVER SHEET		



IBM 8 BIT EXPANSION BUS

IBM 16 BIT EXTENDED BUS

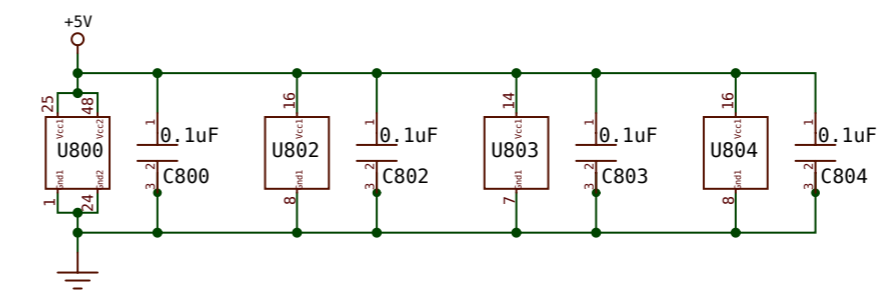
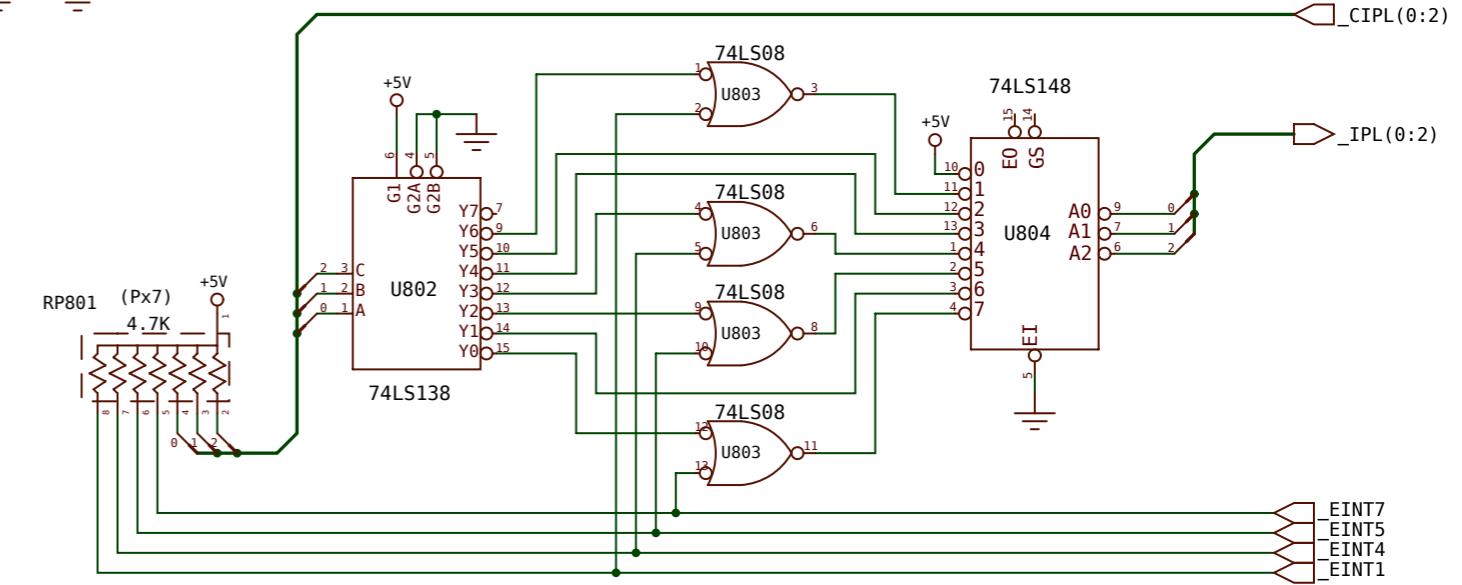
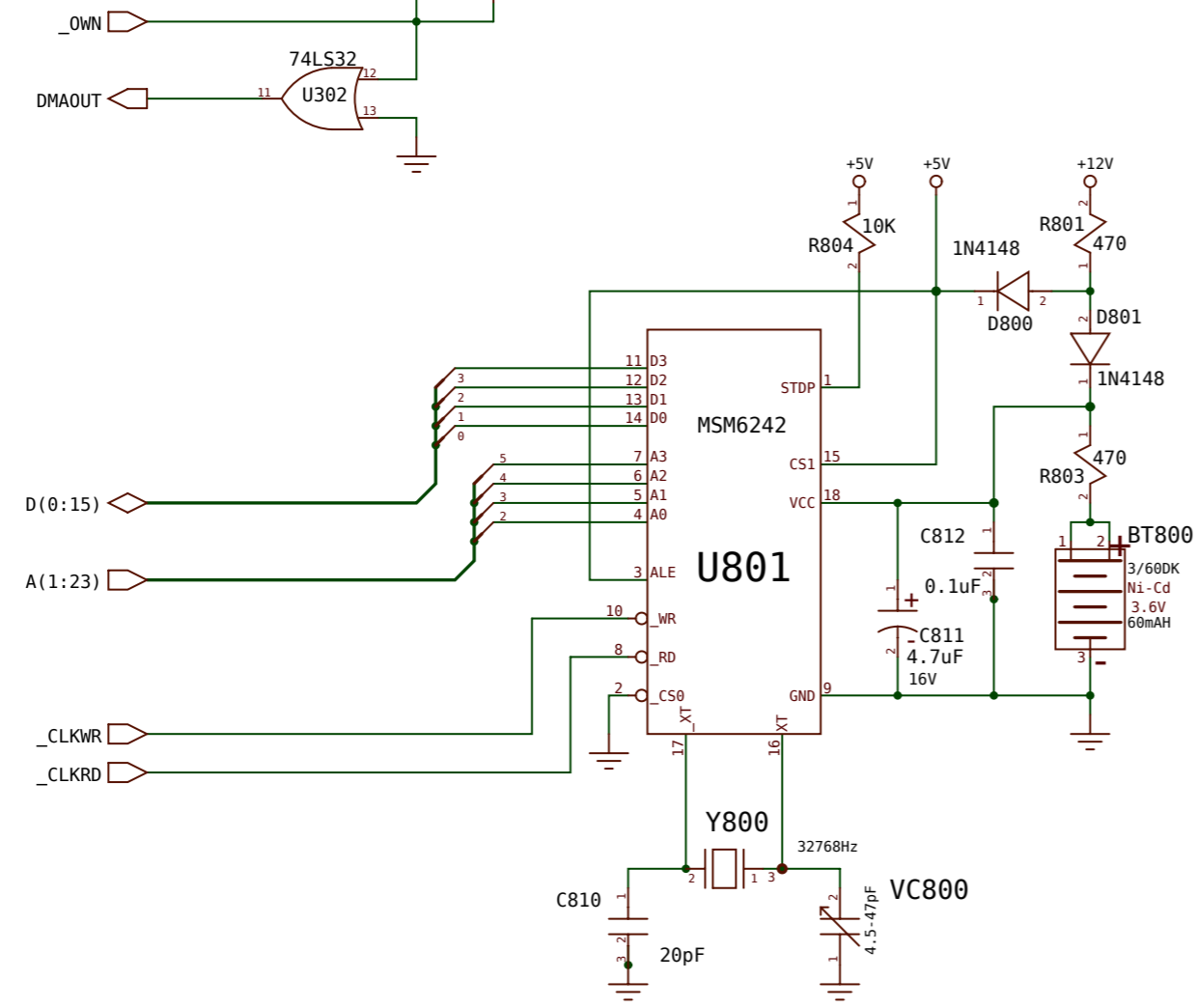
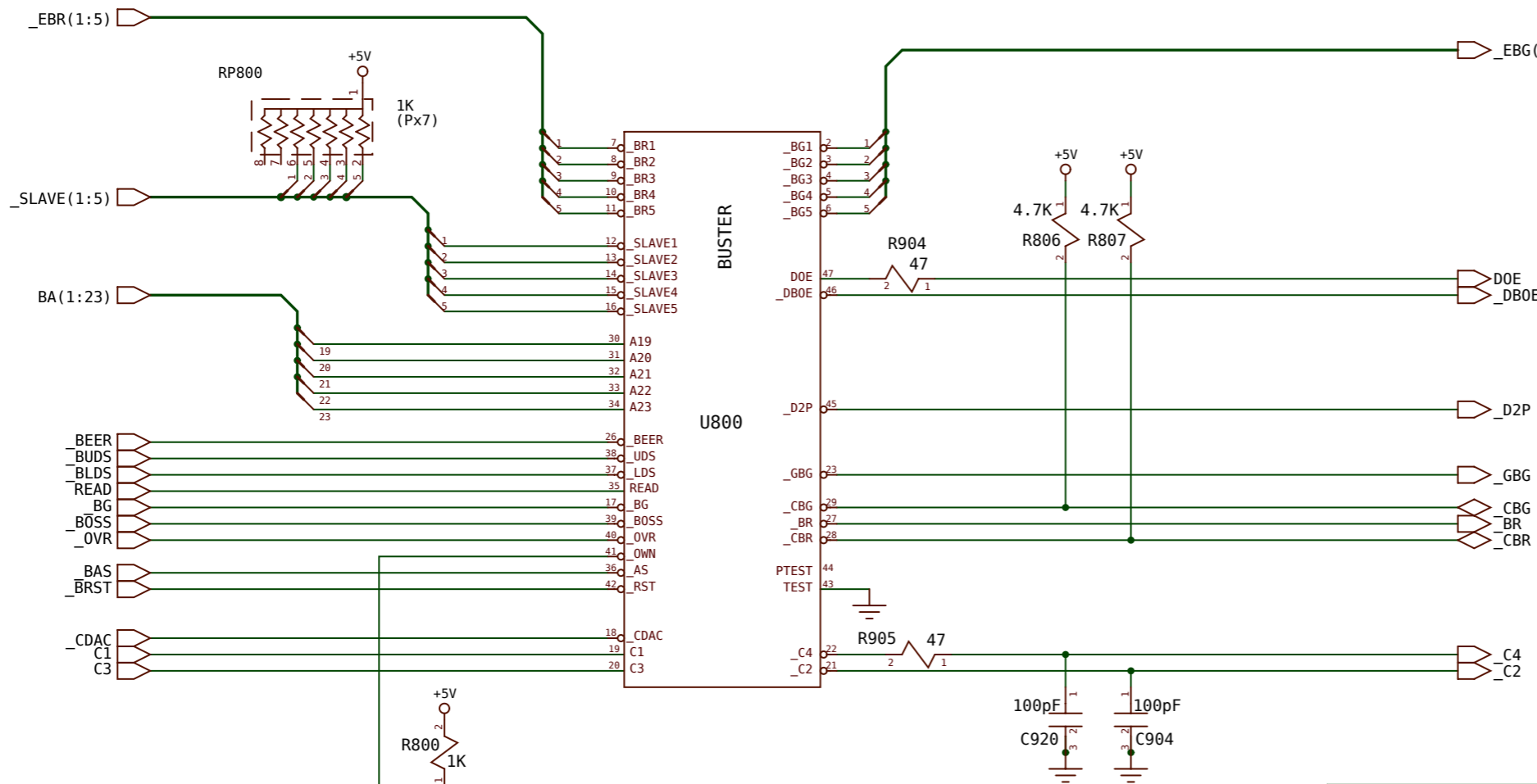


I wait in this place,
where the sun never shines

	DRAWN BY:	DATE:	Commodore SCHEMATIC A2000CR
	CHKD: HCD	2/22/89	
	ENGR: DBH	7/1/87	
USED ON:	NEXT ASSY:	SIZE:	REV:
A2000-CR	312725	C	6
SCALE NONE		SHEET 7 OF 12	

Note: Snafu on R6 PCB - C789 is mislabeled C788, and is connected to _MASTER instead of D15

REVISIONS				
ZONE	LTR	DESCRIPTION	DATE	APPROVED
2		SEE COVER SHEET		



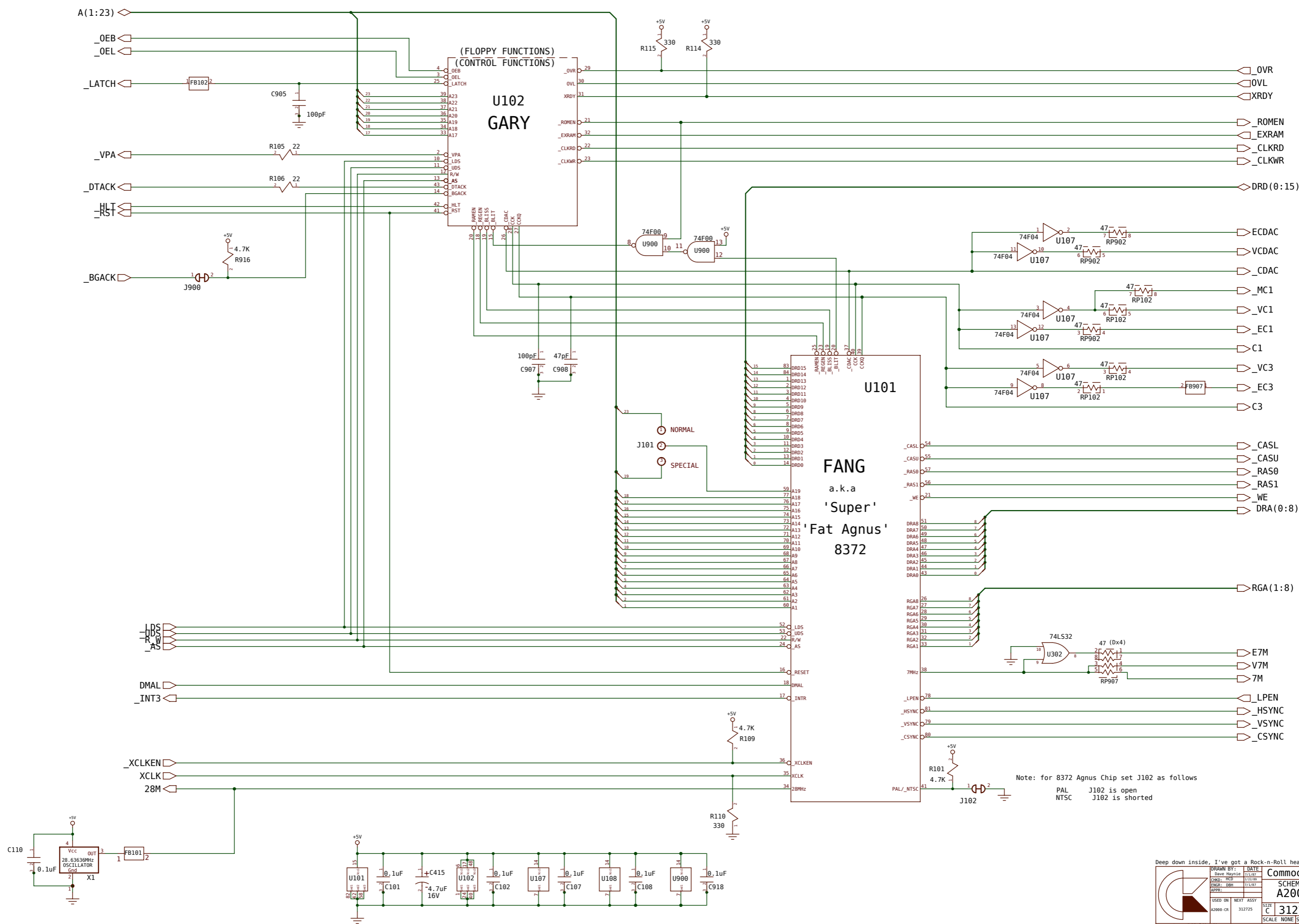
Rev. 1.38 (05.09.2012)

You're jamming me. Quit jamming me!

	DRAWN BY: Dave Haynie	DATE: 7/1/87	Commodore SCHEMATIC A2000CR
	CHKD: HCD	2/22/89	
	ENGR: DBH	7/1/87	
	APPR:		
USED ON: A2000-CR	NEXT ASSY: 312725	SIZE: C	312721 REV 6
SCALE: NONE			SHEET: 8 OF 12

PATH: /user/b52_lib/a2k_exp_logic

REVISIONS				
ZONE	LTR	DESCRIPTION	DATE	APPROVED
2		SEE COVER SHEET		

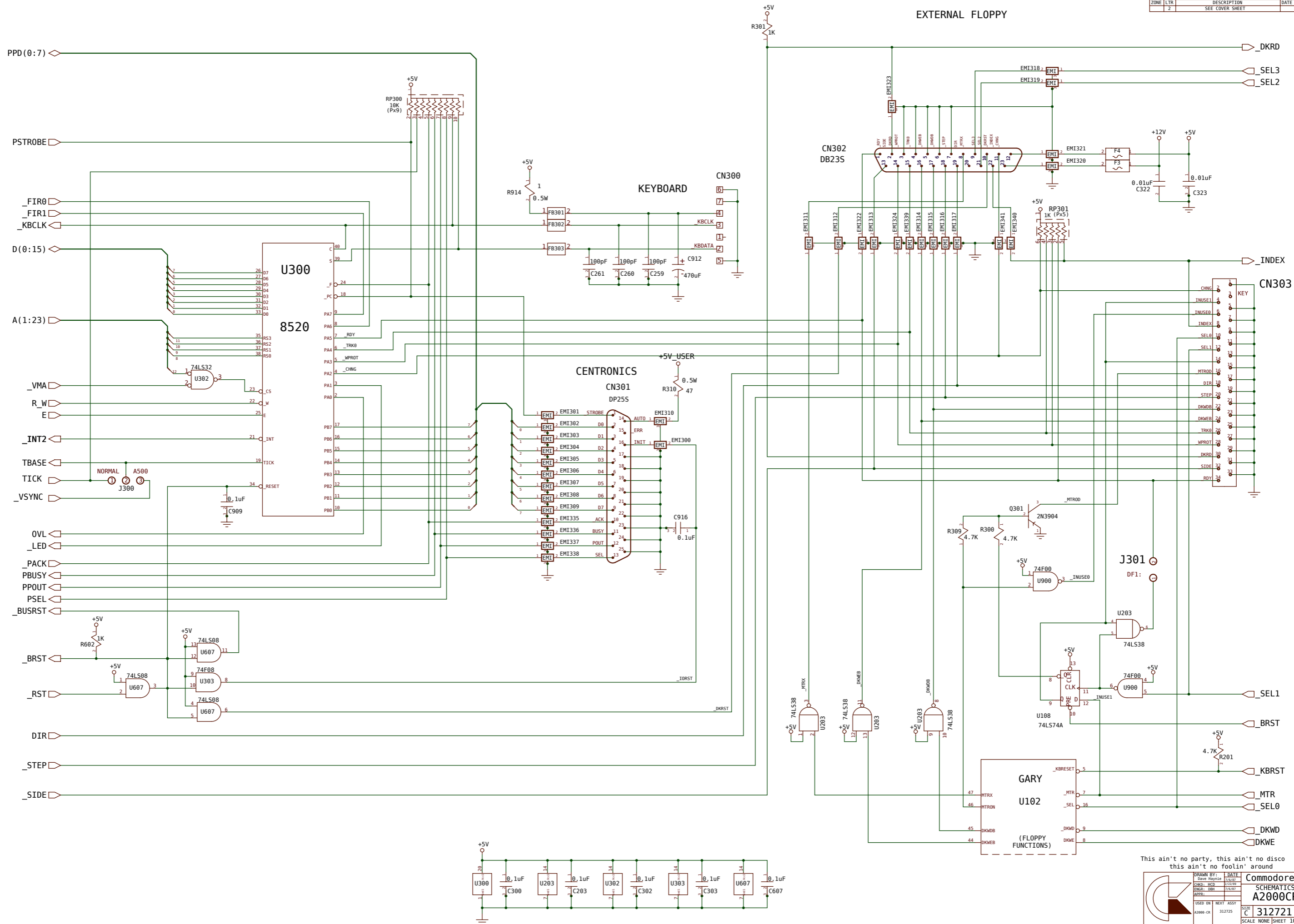


Deep down inside, I've got a Rock-n-Roll heart

DRAWN BY: Steve Hayden	DATE: 11/1/87	Comodore
CHKD: HED	11/2/87	
ENGR: DBH	11/1/87	SCHEMATICS
APPR:		A2000CR
USED ON: A2000-CR	NEXT ASSY: 312725	SIZE: C
		SCALE: NONE
		SHEET: 9 OF 12
		REV: 6

PATH: /user/BS2_L1B/2jk_agnus

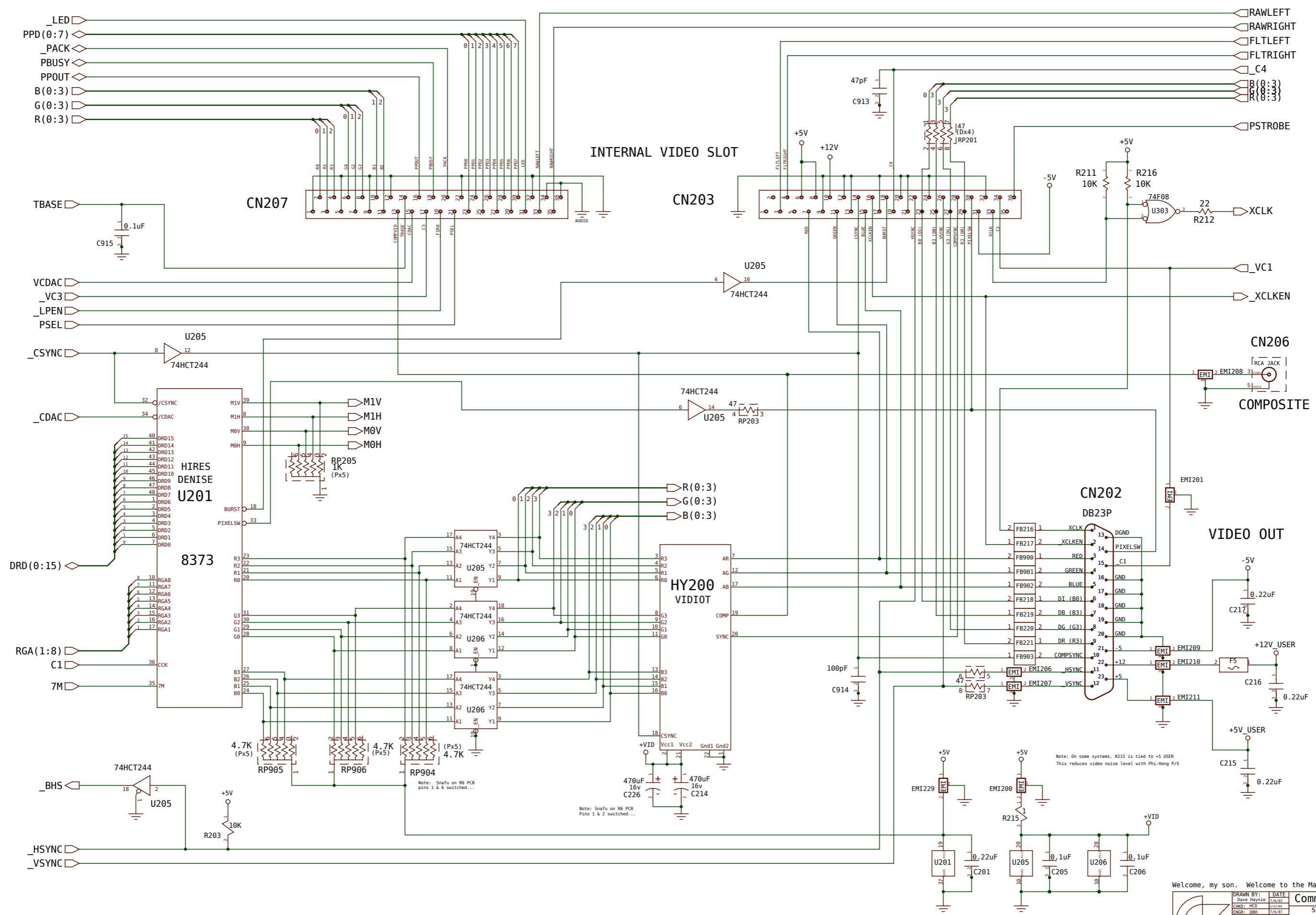
REVISIONS			
ZONE	LTR	DESCRIPTION	DATE APPROVED
	2	SEE COVER SHEET	



This ain't no party, this ain't no disco
this ain't no foolin' around

	DRAWN BY: Dave Haynie	DATE: 7/2/87
	CHECKED BY: APPR. BY:	DATE: DATE:
USED ON NEXT ASSY: A2000-CR 312725		
Commodore SCHEMATICS A2000CR		SIZE C 312721 SCALE NONE SHEET 10 OF 12

REVISIONS				
ZONE	LTR	DESCRIPTION	DATE	APPROVED
2		SEE COVER SHEET		

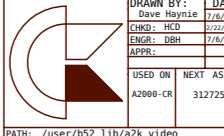


Note: On some systems, R215 is tied to +5 USER
This reduces video noise level with Phi-Hong P/S

Note: Snafu on R6 PCB
pins 1 & 6 switched...

Note: Snafu on R6 PCB
Pins 1 & 2 switched...

Welcome, my son. Welcome to the Machine.

DRAWN BY:	DATE:	 Commodore SCHEMATICS A2000CR	
CHKD: HCD	2/23/88		
ENGR: DBH	7/6/87		
APPR:			
USED ON	NEXT ASSY	SIZE	REV
A2000-CR	312725	C	312721
		SCALE	SHEET
		NONE	11 OF 12

PATH: /user/bs2 Lib/a2k video

REVISIONS				
ZONE	LTR	DESCRIPTION	DATE	APPROVED
	2	SEE COVER SHEET		

A(1:23)

C0-PROCESSOR SLOT

V7M
28M
_COPCFG
VC3
VCDAC
_VC1
_OVR
XRDY
INT2
_BOSS
_INT6

FC(0:2)

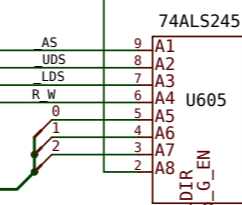
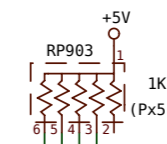
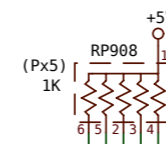
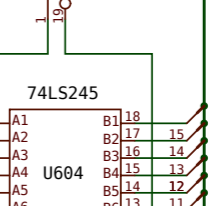
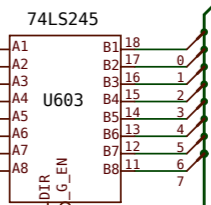
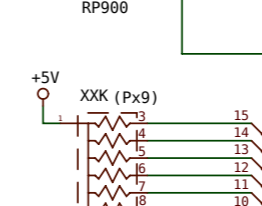
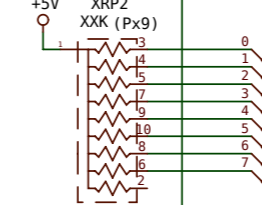
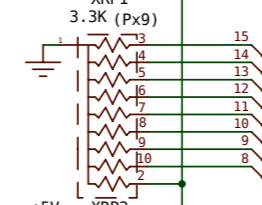
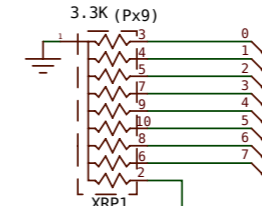
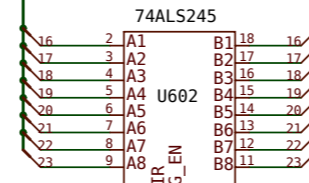
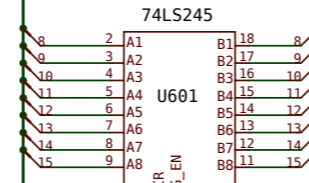
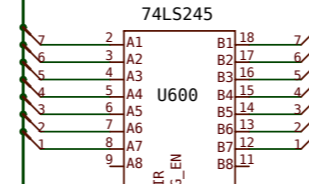
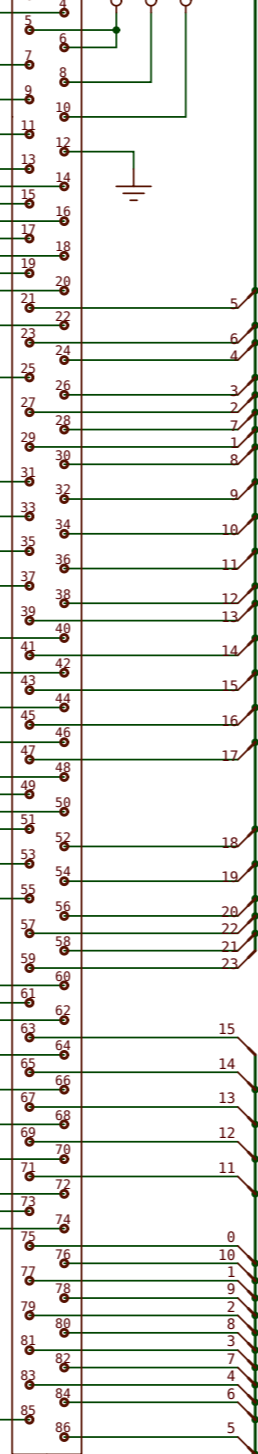
_IPL(0:2)

_BEER
_VPA
_E
_VMA
_RST
_HLT

_CBR
_BGACK
_CBG
_DTACK
R_W
_LDS
_UDS
_AS

DMAOUT

CN600
+5V -5V +12V



BAS
BUDS
BLDS
READ
BFC0
BFC1
BFC2

You can keep my things,
they've come to take me home

	DRAWN BY: Dave Haynie	DATE: 7/8/87	Commodore SCHEMATICS A2000CR
	CHKD: HCD	2/22/88	
	ENGR: DBH	7/8/87	
	APPR:		
USED ON	NEXT ASSY	SIZE	REV
A2000-CR	312725	C	6
SCALE		NONE	SHEET 12 OF 12

PATH: /user/b52 Lib/a2k cop_slot